

# TPS799 200-mA, Low-Quiescent Current, Ultralow Noise, High-PSRR Low-Dropout Linear Regulator

## 1 Features

- 200-mA Low-Dropout Regulator With EN
- Multiple Output Voltage Versions Available:
  - Fixed Outputs of 1.2 V to 4.5 V Using Innovative Factory EEPROM Programming
  - Adjustable Outputs from 1.20 V to 6.5 V
- Inrush Current Protection with EN Toggle
- Low  $I_Q$ : 40  $\mu$ A
- High PSRR: 66 dB at 1 kHz
- Stable with a Low-ESR, 2- $\mu$ F Typical Output Capacitance
- Excellent Load and Line Transient Response
- 2% Overall Accuracy (Load, Line, and Temperature)
- Very Low Dropout: 100 mV
- Package: 5-Bump, Thin, 1-mm x 1.37-mm DSBGA

## 2 Applications

- Cellular Phones
- Wireless LAN, *Bluetooth*<sup>®</sup>
- VCOs, RF
- Handheld Organizers, PDAs

## 3 Description

The TPS799 family of low-dropout (LDO), low-power linear regulators offers excellent ac performance with very low ground current. High power-supply rejection ratio (PSRR), low noise, fast start-up, and excellent line and load transient response are provided while consuming a very low 40- $\mu$ A (typical) ground current.

The TPS799 is stable with ceramic capacitors and uses an advanced BiCMOS fabrication process to yield a dropout voltage of typically 100 mV at a 200-mA output. The TPS799 uses a precision voltage reference and feedback loop to achieve an overall accuracy of 2% over all load, line, process, and temperature variations. The TPS799 features inrush current protection when the EN toggle is used to start the device, immediately clamping the current.

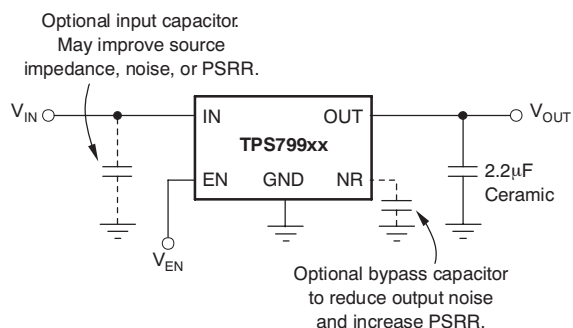
All devices are fully specified over the temperature range of  $T_J = -40^\circ\text{C}$  to  $125^\circ\text{C}$ , and offered in a low-profile, die-sized ball grid array (DSBGA) package, ideal for wireless handsets and WLAN cards.

### Device Information<sup>(1)</sup>

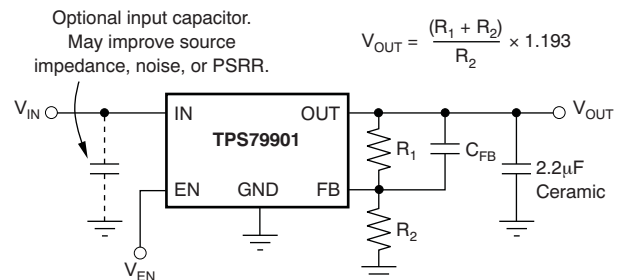
| PART NUMBER | PACKAGE   | BODY SIZE (NOM)   |
|-------------|-----------|-------------------|
| TPS799      | SOT (5)   | 2.90 mm x 1.60 mm |
|             | SON (6)   | 2.00 x 2.00 mm    |
|             | DSBGA (5) | 1.57 mm x 1.20 mm |

(1) For all available packages, see the orderable addendum at the end of the data sheet.

### Typical Application Circuit Fixed Voltage Versions



### Typical Application Circuit Adjustable Voltage Version



## Table of Contents

|  |  |
|--|--|
| <b>1 Features</b> ..... 1<br><b>2 Applications</b> ..... 1<br><b>3 Description</b> ..... 1<br><b>4 Revision History</b> ..... 2<br><b>5 Pin Configuration and Functions</b> ..... 3<br>5.1 Fixed Voltage Versions ..... 3<br>5.2 Adjustable Voltage Versions ..... 3<br><b>6 Specifications</b> ..... 5<br>6.1 Absolute Maximum Ratings ..... 5<br>6.2 ESD Ratings ..... 5<br>6.3 Recommended Operating Conditions ..... 5<br>6.4 Thermal Information ..... 5<br>6.5 Electrical Characteristics ..... 6<br>6.6 Typical Characteristics ..... 7<br><b>7 Detailed Description</b> ..... 12<br>7.1 Overview ..... 12<br>7.2 Functional Block Diagram ..... 12<br>7.3 Feature Description ..... 13 | 7.4 Device Functional Modes ..... 13<br><b>8 Application and Implementation</b> ..... 14<br>8.1 Application Information ..... 14<br>8.2 Typical Applications ..... 14<br>8.3 Do's and Don'ts ..... 16<br><b>9 Power Supply Recommendations</b> ..... 16<br><b>10 Layout</b> ..... 16<br>10.1 Layout Guidelines ..... 16<br>10.2 Layout Example ..... 17<br>10.3 Thermal Information ..... 17<br><b>11 Device and Documentation Support</b> ..... 18<br>11.1 Device Support ..... 18<br>11.2 Documentation Support ..... 18<br>11.3 Trademarks ..... 18<br>11.4 Electrostatic Discharge Caution ..... 18<br>11.5 Glossary ..... 18<br><b>12 Mechanical, Packaging, and Orderable Information</b> ..... 18 |
|--|--|

## 4 Revision History

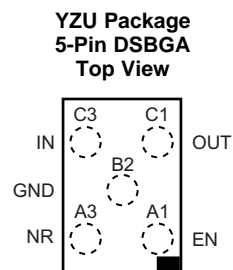
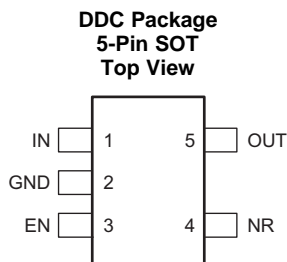
NOTE: Page numbers for previous revisions may differ from page numbers in the current version.

| Changes from Revision J (August 2010) to Revision K  | Page |
|--|------|
| • Added <i>ESD Ratings</i> table, <i>Feature Description</i> section, <i>Device Functional Modes</i> , <i>Application and Implementation</i> section, <i>Power Supply Recommendations</i> section, <i>Layout</i> section, <i>Device and Documentation Support</i> section, and <i>Mechanical, Packaging, and Orderable Information</i> section ..... | 1    |
| • Changed Features list .....  | 1    |
| • Changed Description section.....   | 1    |
| • Changed figure on front page; replaced device pinouts with application circuits.....   | 1    |
| • Changed Pin Configuration and Functions section; updated table format, renamed pin packages to meet new standards .....  | 3    |
| • Changed "free-air" to "junction" temperature in condition statement for <i>Absolute Maximum Ratings</i> .....  | 5    |
| • Changed <i>free-air</i> to <i>junction</i> in Recommended Operating Conditions table conditions.....   | 5    |
| • Added thermal information for additional device packages .....   | 5    |

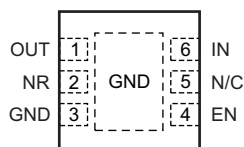
| Changes from Revision I (November 2007) to Revision J   | Page |
|---|------|
| • Replaced the <i>Dissipation Ratings</i> table with the <i>Thermal Information</i> table ..... | 5    |

## 5 Pin Configuration and Functions

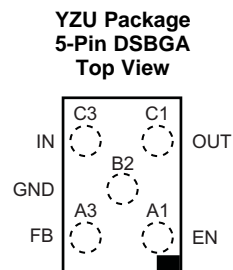
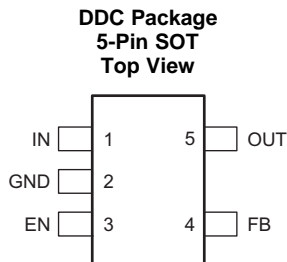
### 5.1 Fixed Voltage Versions



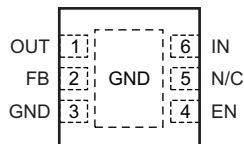
**DRV Package**  
**6-Pin SON With Exposed Thermal Pad**  
**Top View**



### 5.2 Adjustable Voltage Versions



**DRV Package**  
**6-Pin SON With Exposed Thermal Pad**  
**Top View**



### Pin Functions

| PIN  |     |     |        | I/O | DESCRIPTION  |
|------|-----|-----|--------|-----|--|
| NAME | DDC | YZY | DRV    |     |  |
| IN   | 1   | C3  | 6      | I   | Input supply.  |
| GND  | 2   | B2  | 3, Pad | —   | Ground. The pad must be tied to GND.   |
| EN   | 3   | A1  | 4      | I   | Driving this pin high turns on the regulator. Driving this pin low puts the regulator into shutdown mode. EN can be connected to IN if not used.   |
| NR   | 4   | A3  | 2      | —   | Fixed voltage versions only. Noise reduction; connecting this pin to an external capacitor bypasses noise generated by the internal band gap. This capacitor allows output noise to be reduced to very low levels. |
| FB   | 4   | A3  | 2      | I   | Adjustable voltage version only. Feedback; this pin is the input to the control loop error amplifier, and sets the output voltage of the device.   |
| OUT  | 5   | C1  | 1      | O   | Output of the regulator. To assure stability, a small ceramic capacitor (total typical capacitance $\geq 2 \mu\text{F}$ ) is required from this pin to ground.   |
| N/C  | —   | —   | 5      | —   | Not internally connected. This pin must either be left open, or tied to GND.   |

## 6 Specifications

### 6.1 Absolute Maximum Ratings

over operating junction temperature range (unless otherwise noted) <sup>(1)</sup>

|                        |                                      | MIN                | MAX            | UNIT |
|------------------------|--------------------------------------|--------------------|----------------|------|
| Voltage <sup>(2)</sup> | IN                                   | -0.3               | 7.0            | V    |
|                        | EN                                   | -0.3               | $V_{IN} + 0.3$ | V    |
|                        | OUT                                  | -0.3               | $V_{IN} + 0.3$ | V    |
| Current                | OUT                                  | Internally limited |                | mA   |
| Temperature            | Operating virtual junction, $T_J$    | -55                | 150            | °C   |
|                        | Storage temperature range, $T_{stg}$ | -55                | 150            | °C   |

- (1) Stresses beyond those listed under *Absolute Maximum Ratings* may cause permanent damage to the device. These are stress ratings only, which do not imply functional operation of the device at these or any other conditions beyond those indicated under *Recommended Operating Conditions*. Exposure to absolute-maximum-rated conditions for extended periods may affect device reliability.
- (2) All voltages are with respect to network ground terminal.

### 6.2 ESD Ratings

|             |                         | VALUE  | UNIT  |
|-------------|-------------------------|--|-------|
| $V_{(ESD)}$ | Electrostatic discharge | Human body model (HBM), per ANSI/ESDA/JEDEC JS-001, all pins <sup>(1)</sup>              | ±2000 |
|             |                         | Charged device model (CDM), per JEDEC specification JESD22-C101, all pins <sup>(2)</sup> | ±500  |

- (1) JEDEC document JEP155 states that 500-V HBM allows safe manufacturing with a standard ESD control process.
- (2) JEDEC document JEP157 states that 250-V CDM allows safe manufacturing with a standard ESD control process.

### 6.3 Recommended Operating Conditions

over operating junction temperature range (unless otherwise noted)

|           |                                | MIN | NOM | MAX | UNIT |
|-----------|--------------------------------|-----|-----|-----|------|
| $V_{IN}$  | Input voltage                  | 2.7 |     | 6.5 | V    |
| $I_{OUT}$ | Output current                 | 0.5 |     | 200 | mA   |
| $T_J$     | Operating junction temperature | -40 |     | 125 | °C   |

### 6.4 Thermal Information

| THERMAL METRIC <sup>(1)</sup> |  | TPS799    |           |             | UNIT |
|-------------------------------|--|-----------|-----------|-------------|------|
|                               |  | DDC (SOT) | DRV (SON) | YZU (DSBGA) |      |
|                               |  | 5 PINS    | 6 PINS    | 5 PINS      |      |
| $R_{\theta JA}$               | Junction-to-ambient thermal resistance       | 225.3     | 74.2      | 143.3       | °C/W |
| $R_{\theta JC(top)}$          | Junction-to-case (top) thermal resistance    | 39.3      | 58.8      | 1.1         |      |
| $R_{\theta JB}$               | Junction-to-board thermal resistance         | 47.3      | 145.9     | 84.7        |      |
| $\Psi_{JT}$                   | Junction-to-top characterization parameter   | 0.5       | 0.2       | 3.8         |      |
| $\Psi_{JB}$                   | Junction-to-board characterization parameter | 46.7      | 54.4      | 84.4        |      |
| $R_{\theta JC(bot)}$          | Junction-to-case (bottom) thermal resistance | N/A       | 7.2       | N/A         |      |

- (1) For more information about traditional and new thermal metrics, see the *IC Package Thermal Metrics* application report, [SPRA953](#).

## 6.5 Electrical Characteristics

Over operating temperature range ( $T_J = -40^\circ\text{C}$  to  $125^\circ\text{C}$ ),  $V_{IN} = V_{OUT(nom)} + 0.3\text{ V}$  or  $2.7\text{ V}$ , whichever is greater;  $I_{OUT} = 1\text{ mA}$ ,  $V_{EN} = V_{IN}$ ,  $C_{OUT} = 2.2\ \mu\text{F}$ ,  $C_{NR} = 0.01\ \mu\text{F}$ , unless otherwise noted. For TPS79901,  $V_{OUT} = 3.0\text{ V}$ . Typical values are at  $T_J = 25^\circ\text{C}$ .

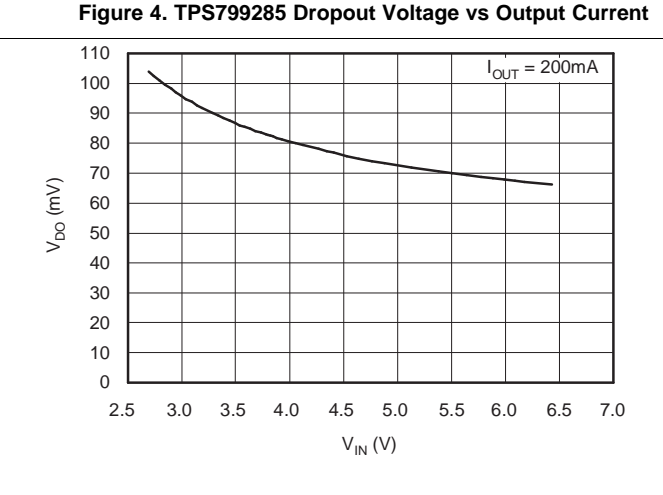
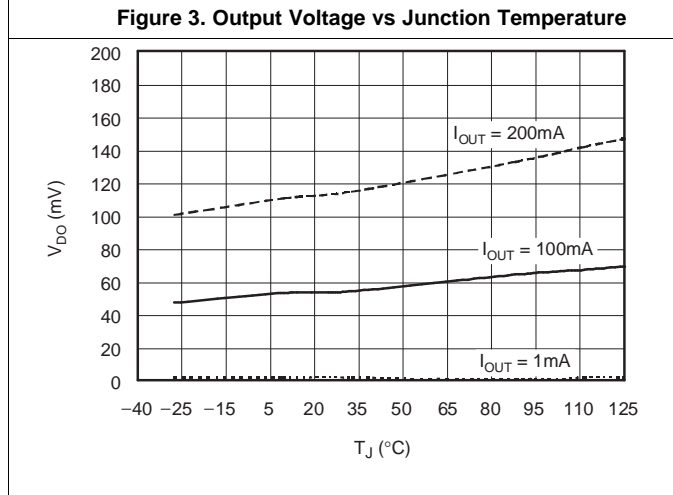
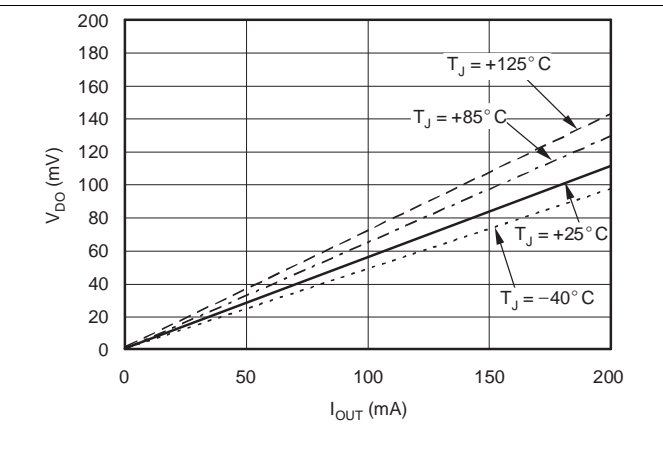
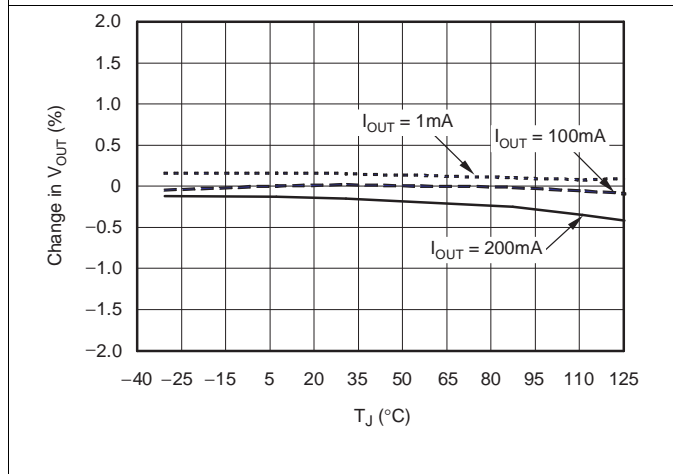
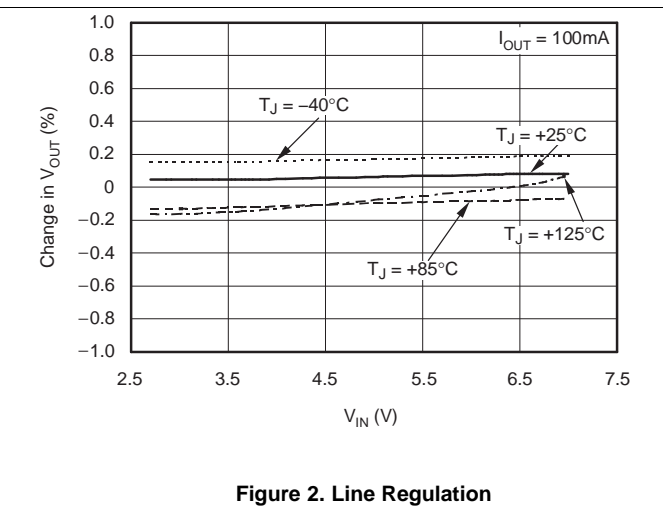
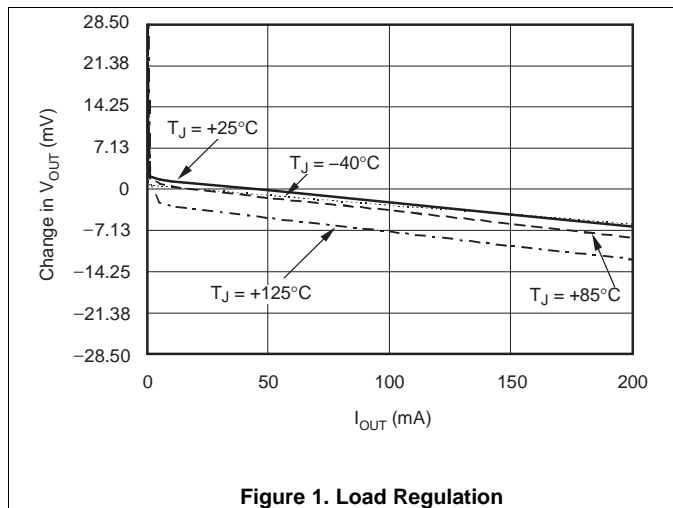
| PARAMETER                 |  | TEST CONDITIONS  | MIN                              | TYP                   | MAX      | UNIT                |
|---------------------------|--|--|----------------------------------|-----------------------|----------|---------------------|
| $V_{IN}$                  | Input voltage range <sup>(1)</sup>   |  | 2.7                              |                       | 6.5      | V                   |
| $V_{FB}$                  | Internal reference (TPS79901)  |  | 1.169                            | 1.193                 | 1.217    | V                   |
| $V_{OUT}$                 | Output voltage range (TPS79901)  |  | $V_{FB}$                         | $6.5 - V_{DO}$        |          | V                   |
| $V_{OUT}$                 | Output accuracy, nominal   | $T_J = 25^\circ\text{C}$   | -1%                              |                       | 1%       |                     |
|                           | Output accuracy <sup>(1)</sup><br>Over $V_{IN}$ , $I_{OUT}$ , temperature    | $V_{OUT} + 0.3\text{ V} \leq V_{IN} \leq 6.5\text{ V}$<br>$500\ \mu\text{A} \leq I_{OUT} \leq 200\text{ mA}$             | -2%                              | $\pm 1\%$             | 2%       |                     |
| $\Delta V_{O(\Delta VI)}$ | Line regulation <sup>(1)</sup>   | $V_{OUT(NOM)} + 0.3\text{ V} \leq V_{IN} \leq 6.5\text{ V}$  |                                  | 0.02                  |          | %/V                 |
| $\Delta V_{O(\Delta IO)}$ | Load regulation  | $500\ \mu\text{A} \leq I_{OUT} \leq 200\text{ mA}$   |                                  | 0.002                 |          | %/mA                |
| $V_{DO}$                  | Dropout voltage <sup>(2)</sup><br>( $V_{IN} = V_{OUT(nom)} - 0.1\text{ V}$ ) | $I_{OUT} = 200\text{ mA}$  | $V_{OUT(nom)} \leq 3.3\text{ V}$ | 100                   | 175      | mV                  |
|                           |  |  | $V_{OUT(nom)} \geq 3.3\text{ V}$ | 90                    | 160      | mV                  |
| $I_{CL}$                  | Output current limit   | $V_{OUT} = 0.9 \times V_{OUT(nom)}$  | 220                              | 400                   | 600      | mA                  |
| $I_{GND}$                 | Ground pin current   | $500\ \mu\text{A} \leq I_{OUT} \leq 200\text{ mA}$   |                                  | 40                    | 60       | $\mu\text{A}$       |
| $I_{SHDN}$                | Shutdown current ( $I_{GND}$ )   | $V_{EN} \leq 0.4\text{ V}$ , $2.7\text{ V} \leq V_{IN} \leq 6.5\text{ V}$  |                                  | 0.15                  | 1        | $\mu\text{A}$       |
| $I_{FB}$                  | Feedback pin current (TPS79901)  |  | -0.5                             |                       | 0.5      | $\mu\text{A}$       |
| PSRR                      | Power-supply rejection ratio   | $V_{IN} = 3.85\text{ V}$ ,<br>$V_{OUT} = 2.85\text{ V}$ ,<br>$C_{NR} = 0.01\ \mu\text{F}$ ,<br>$I_{OUT} = 100\text{ mA}$ | $f = 100\text{ Hz}$              | 70                    |          | dB                  |
|                           |  |  | $f = 1\text{ kHz}$               | 66                    |          | dB                  |
|                           |  |  | $f = 10\text{ kHz}$              | 51                    |          | dB                  |
|                           |  |  | $f = 100\text{ kHz}$             | 38                    |          | dB                  |
| $V_n$                     | Output noise voltage   | BW = 10 Hz to 100 kHz,<br>$V_{OUT} = 2.85\text{ V}$  | $C_{NR} = 0.01\ \mu\text{F}$     | $10.5 \times V_{OUT}$ |          | $\mu\text{V}_{RMS}$ |
|                           |  |  | $C_{NR} = \text{none}$           | $94 \times V_{OUT}$   |          | $\mu\text{V}_{RMS}$ |
|                           | Start-up time  | $V_{OUT} = 2.85\text{ V}$ ,<br>$R_L = 14\ \Omega$ ,<br>$C_{OUT} = 2.2\ \mu\text{F}$                                      | $C_{NR} = 0.001\ \mu\text{F}$    | 45                    |          | $\mu\text{s}$       |
|                           |  |  | $C_{NR} = 0.047\ \mu\text{F}$    | 45                    |          | $\mu\text{s}$       |
|                           |  |  | $C_{NR} = 0.01\ \mu\text{F}$     | 50                    |          | $\mu\text{s}$       |
|                           |  |  | $C_{NR} = \text{none}$           | 50                    |          | $\mu\text{s}$       |
| $V_{EN(HI)}$              | Enable high (enabled)  |  | 1.2                              |                       | $V_{IN}$ | V                   |
| $V_{EN(LO)}$              | Enable low (shutdown)  |  | 0                                |                       | 0.4      | V                   |
| $I_{EN(HI)}$              | Enable pin current, enabled  | $V_{EN} = V_{IN} = 6.5\text{ V}$   |                                  | 0.03                  | 1        | $\mu\text{A}$       |
| $T_{sd}$                  | Thermal shutdown temperature   | Shutdown, temperature increasing   |                                  | 165                   |          | $^\circ\text{C}$    |
|                           |  | Reset, temperature decreasing  |                                  | 145                   |          | $^\circ\text{C}$    |
| $T_J$                     | Operating junction temperature   |  | -40                              |                       | 125      | $^\circ\text{C}$    |
| UVLO                      | Undervoltage lockout   | $V_{IN}$ rising  | 1.90                             | 2.20                  | 2.65     | V                   |
|                           | Hysteresis   | $V_{IN}$ falling   |                                  | 70                    |          | mV                  |

(1) Minimum  $V_{IN} = V_{OUT} + V_{DO}$  or  $2.7\text{ V}$ , whichever is greater.

(2)  $V_{DO}$  is not measured for devices with  $V_{OUT(nom)} < 2.8\text{ V}$  because minimum  $V_{IN} = 2.7\text{ V}$ .

### 6.6 Typical Characteristics

Over operating temperature range ( $T_J = -40^\circ\text{C}$  to  $125^\circ\text{C}$ ),  $V_{IN} = V_{OUT(nom)} + 0.3\text{ V}$  or  $2.7\text{ V}$ , whichever is greater;  $I_{OUT} = 1\text{ mA}$ ,  $V_{EN} = V_{IN}$ ,  $C_{OUT} = 2.2\ \mu\text{F}$ , and  $C_{NR} = 0.01\ \mu\text{F}$ , unless otherwise noted. For TPS79901,  $V_{OUT} = 3.0\text{ V}$ . Typical values are at  $T_J = 25^\circ\text{C}$ .



### Typical Characteristics (continued)

Over operating temperature range ( $T_J = -40^{\circ}\text{C}$  to  $125^{\circ}\text{C}$ ),  $V_{IN} = V_{OUT(nom)} + 0.3\text{ V}$  or  $2.7\text{ V}$ , whichever is greater;  $I_{OUT} = 1\text{ mA}$ ,  $V_{EN} = V_{IN}$ ,  $C_{OUT} = 2.2\text{ }\mu\text{F}$ , and  $C_{NR} = 0.01\text{ }\mu\text{F}$ , unless otherwise noted. For TPS79901,  $V_{OUT} = 3.0\text{ V}$ . Typical values are at  $T_J = 25^{\circ}\text{C}$ .

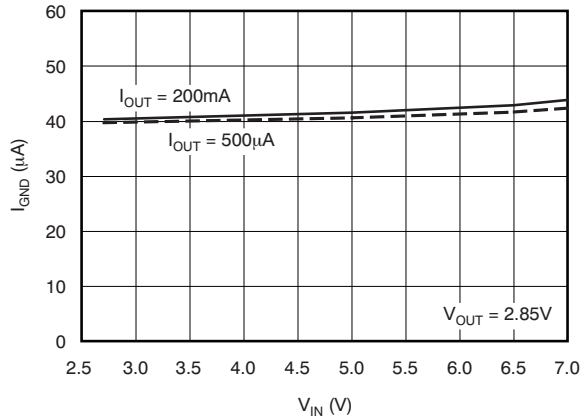


Figure 7. Ground Pin Current vs Input Voltage

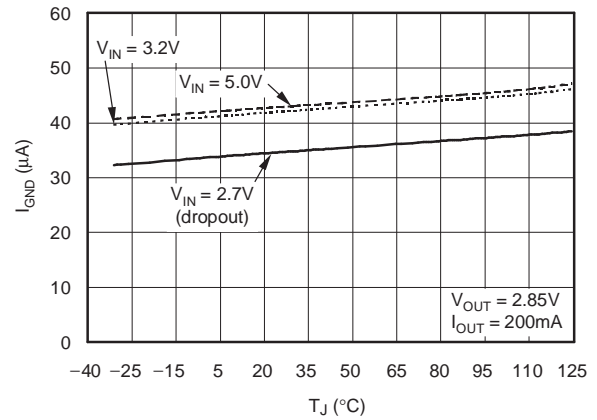


Figure 8. TPS799285 Ground Pin Current vs Junction Temperature

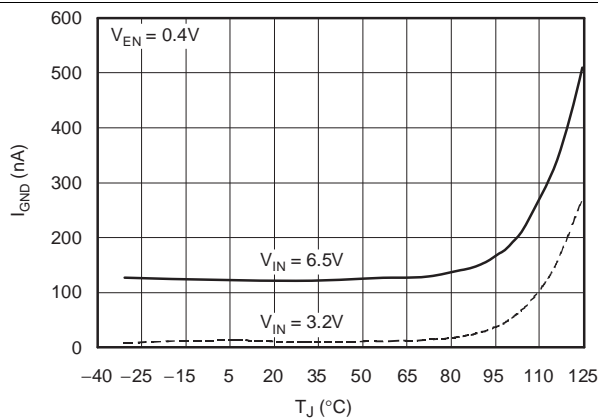


Figure 9. Ground Pin Current (Disabled) vs Junction Temperature

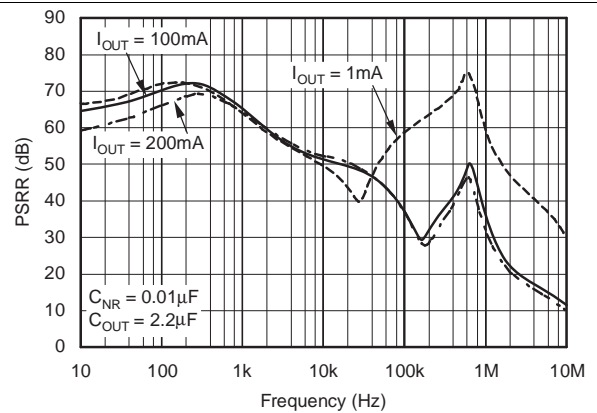


Figure 10. TPS799285 Power-Supply Ripple Rejection vs Frequency ( $V_{IN} - V_{OUT} = 1.0\text{ V}$ )

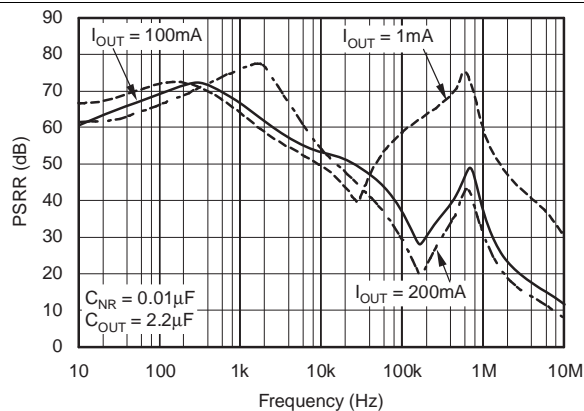


Figure 11. TPS799285 Power-Supply Ripple Rejection vs Frequency ( $V_{IN} - V_{OUT} = 0.5\text{ V}$ )

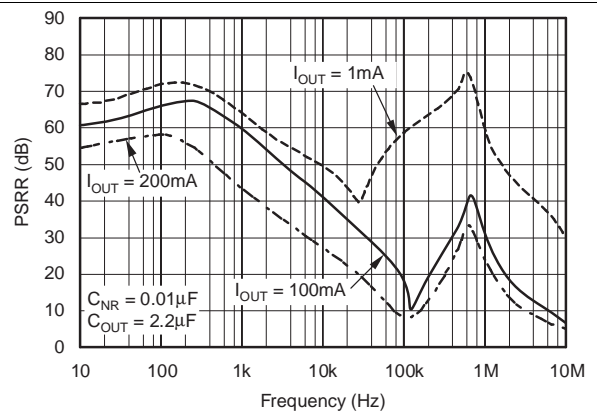


Figure 12. TPS799285 Power-Supply Ripple Rejection vs Frequency ( $V_{IN} - V_{OUT} = 0.25\text{ V}$ )



Typical Characteristics (continued)

Over operating temperature range ( $T_J = -40^\circ\text{C}$  to  $125^\circ\text{C}$ ),  $V_{IN} = V_{OUT(nom)} + 0.3\text{ V}$  or  $2.7\text{ V}$ , whichever is greater;  $I_{OUT} = 1\text{ mA}$ ,  $V_{EN} = V_{IN}$ ,  $C_{OUT} = 2.2\ \mu\text{F}$ , and  $C_{NR} = 0.01\ \mu\text{F}$ , unless otherwise noted. For TPS79901,  $V_{OUT} = 3.0\text{ V}$ . Typical values are at  $T_J = 25^\circ\text{C}$ .

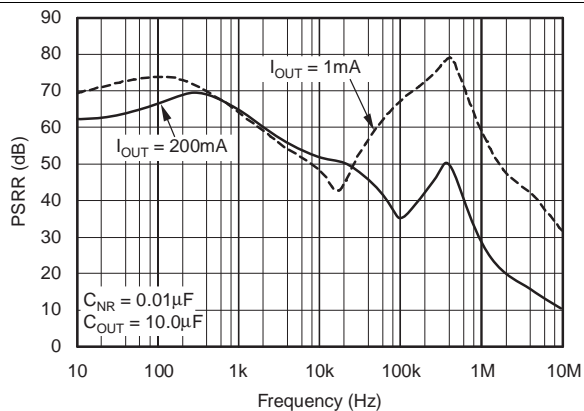


Figure 13. TPS799285 Power-Supply Ripple Rejection vs Frequency ( $V_{IN} - V_{OUT} = 1.0\text{ V}$ )

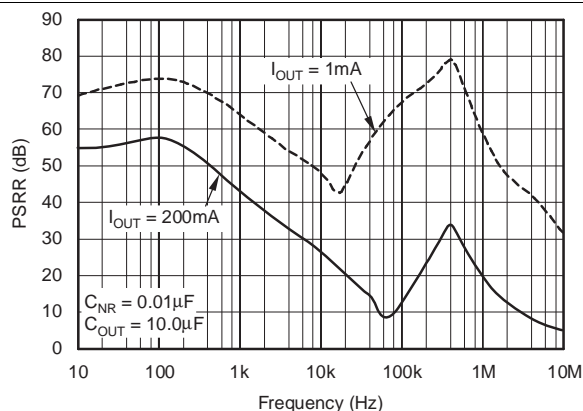


Figure 14. TPS799285 Power-Supply Ripple Rejection vs Frequency ( $V_{IN} - V_{OUT} = 0.25\text{ V}$ )

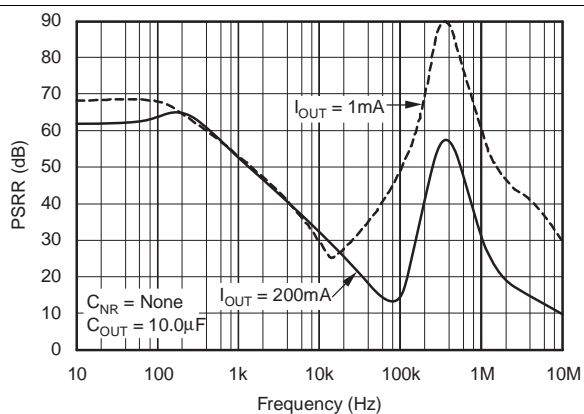


Figure 15. TPS799285 Power-Supply Ripple Rejection vs Frequency ( $V_{IN} - V_{OUT} = 1.0\text{ V}$ )

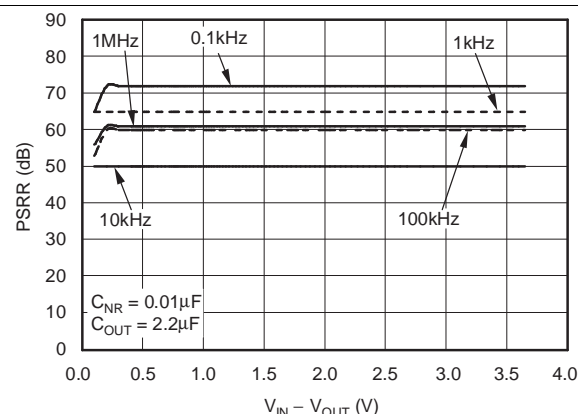


Figure 16. Power-Supply Ripple Rejection vs  $V_{IN} - V_{OUT}$ ,  $I_{OUT} = 1\text{ mA}$

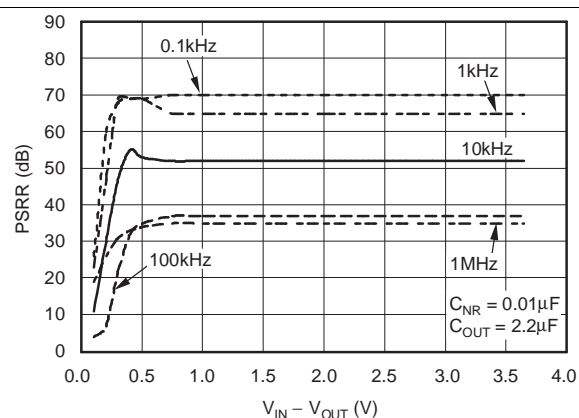


Figure 17. Power-Supply Ripple Rejection vs  $V_{IN} - V_{OUT}$ ,  $I_{OUT} = 100\text{ mA}$

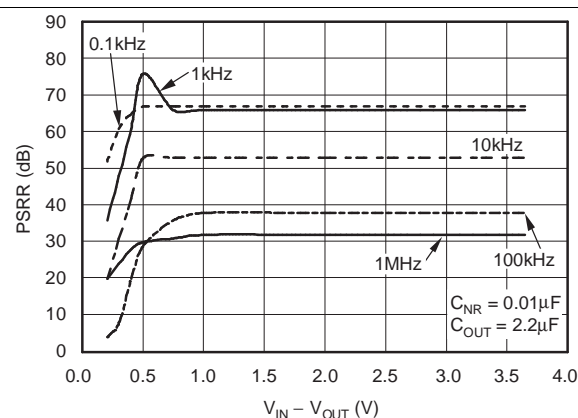


Figure 18. Power-Supply Ripple Rejection vs  $V_{IN} - V_{OUT}$ ,  $I_{OUT} = 200\text{ mA}$

### Typical Characteristics (continued)

Over operating temperature range ( $T_J = -40^\circ\text{C}$  to  $125^\circ\text{C}$ ),  $V_{IN} = V_{OUT(nom)} + 0.3\text{ V}$  or  $2.7\text{ V}$ , whichever is greater;  $I_{OUT} = 1\text{ mA}$ ,  $V_{EN} = V_{IN}$ ,  $C_{OUT} = 2.2\ \mu\text{F}$ , and  $C_{NR} = 0.01\ \mu\text{F}$ , unless otherwise noted. For TPS79901,  $V_{OUT} = 3.0\text{ V}$ . Typical values are at  $T_J = 25^\circ\text{C}$ .

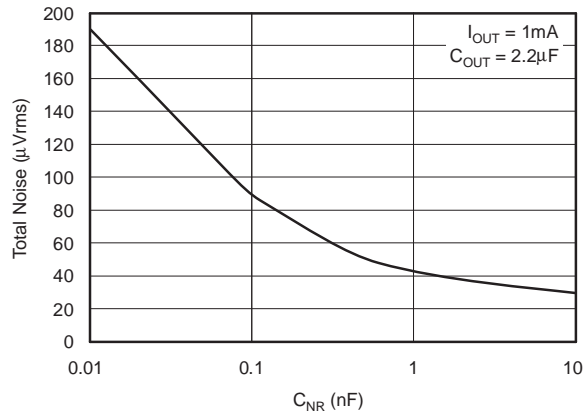


Figure 19. TPS799285 Total Noise vs  $C_{NR}$

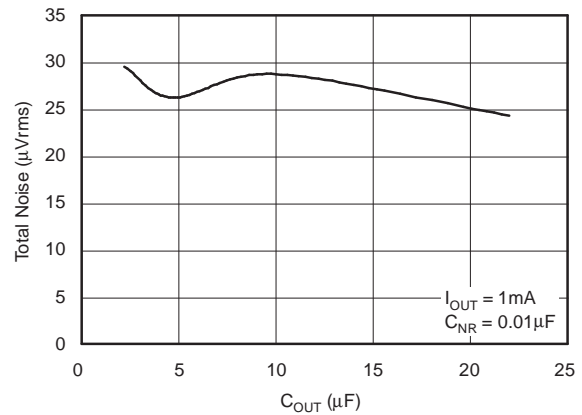


Figure 20. TPS799285 Total Noise vs  $C_{OUT}$

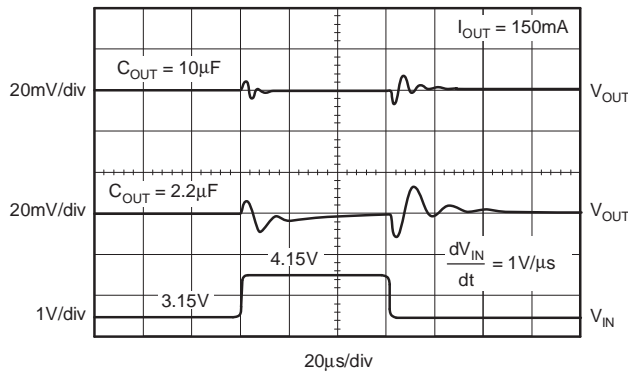


Figure 21. TPS799285 Line Transient Response

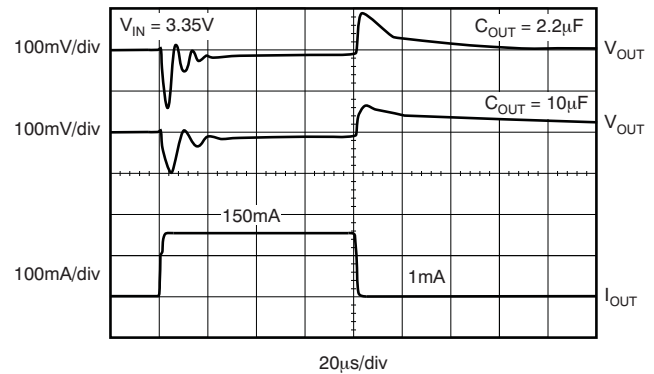


Figure 22. TPS799285 Load Transient Response

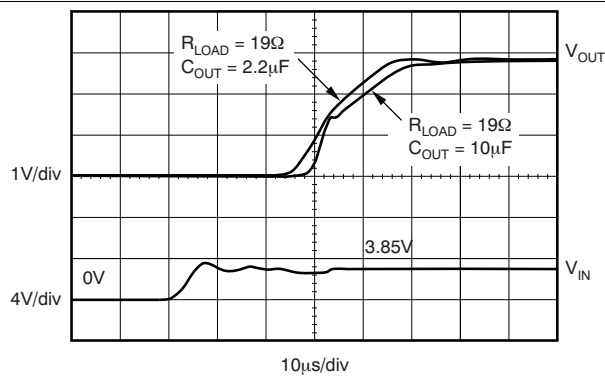


Figure 23. TPS799285 Turn-On Response ( $V_{EN} = V_{IN}$ )

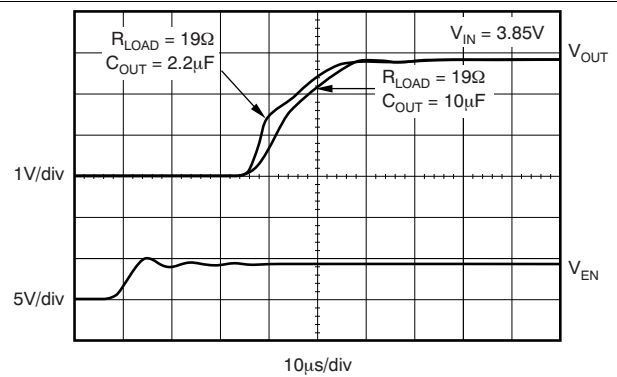
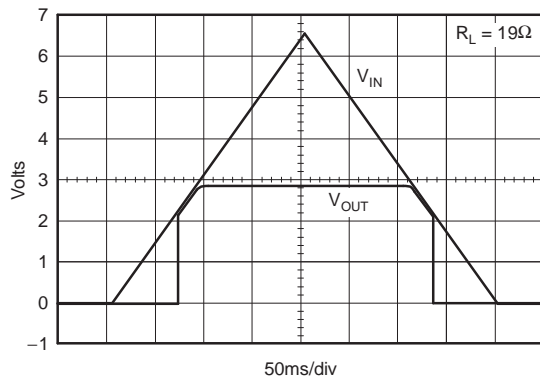


Figure 24. TPS799285 Enable Response

**Typical Characteristics (continued)**

Over operating temperature range ( $T_J = -40^{\circ}\text{C}$  to  $125^{\circ}\text{C}$ ),  $V_{IN} = V_{OUT(nom)} + 0.3\text{ V}$  or  $2.7\text{ V}$ , whichever is greater;  $I_{OUT} = 1\text{ mA}$ ,  $V_{EN} = V_{IN}$ ,  $C_{OUT} = 2.2\text{ }\mu\text{F}$ , and  $C_{NR} = 0.01\text{ }\mu\text{F}$ , unless otherwise noted. For TPS79901,  $V_{OUT} = 3.0\text{ V}$ . Typical values are at  $T_J = 25^{\circ}\text{C}$ .



**Figure 25. TPS799285 Power-Up/Power-Down**

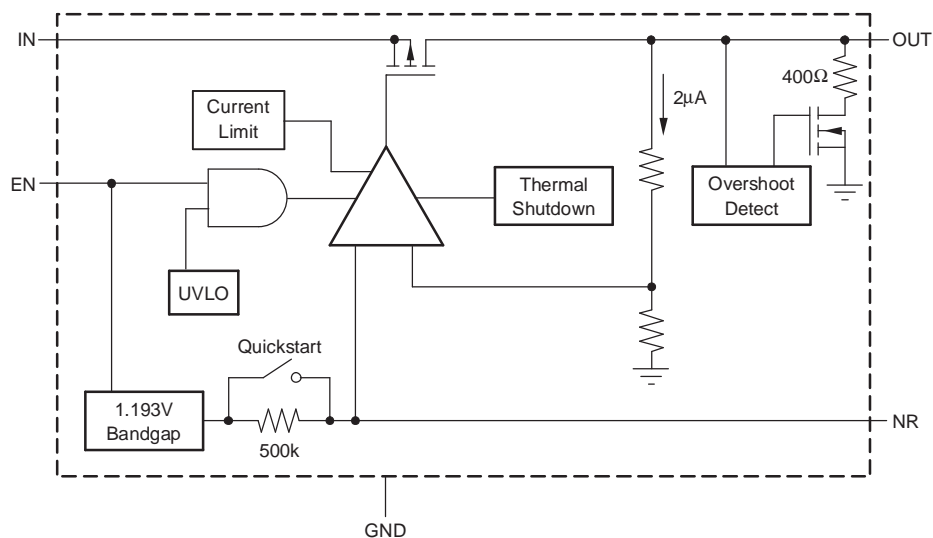
## 7 Detailed Description

### 7.1 Overview

The TPS799 family of low-dropout (LDO) regulators combines the high performance required of many RF and precision analog applications with ultralow current consumption. High PSRR is provided by a high-gain, high-bandwidth error loop with good supply rejection at very low headroom ( $V_{IN} - V_{OUT}$ ). A noise-reduction pin is provided to bypass noise generated by the band-gap reference and to improve PSRR, while a quick-start circuit quickly charges this capacitor at start-up. The combination of high performance and low ground current also make these devices an excellent choice for portable applications. All versions have thermal and overcurrent protection, and are fully specified from  $-40^{\circ}\text{C}$  to  $125^{\circ}\text{C}$ .

The TPS799 family also features inrush current protection with an EN toggle start-up, and overshoot detection at the output. When the EN toggle is used to start the device, current limit protection is immediately activated, restricting the inrush current to the device. If voltage at the output overshoots 5% from the nominal value, a pulldown resistor reduces the voltage to normal operating conditions, as shown in the [Functional Block Diagram](#).

### 7.2 Functional Block Diagram



**Figure 26. Fixed-Voltage Versions**

## Functional Block Diagram (continued)

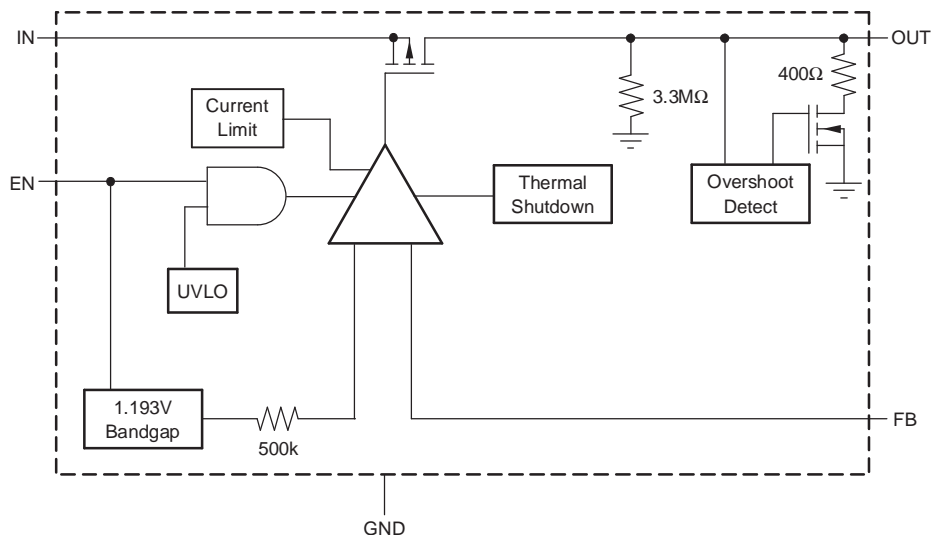


Figure 27. Adjustable-Voltage Versions

## 7.3 Feature Description

### 7.3.1 Internal Current Limit

The TPS799 internal current limit helps protect the regulator during fault conditions. In current limit mode, the output sources a fixed amount of current that is largely independent of the output voltage. For reliable operation, do not operate the device in a current-limit state for extended periods of time.

The PMOS pass element in the TPS799 has a built-in body diode that conducts current when the voltage at OUT exceeds the voltage at IN. This current is not limited; therefore, if extended reverse voltage operation is anticipated, external limiting may be required.

### 7.3.2 Shutdown

The enable pin (EN) is active high and is compatible with standard and low-voltage TTL-CMOS levels. When shutdown capability is not required, EN can be connected to IN.

### 7.3.3 Start Up

The TPS799 uses a start-up circuit to quickly charge the noise reduction capacitor,  $C_{NR}$ , if present (see the [Functional Block Diagram](#)). This circuit allows for the combination of very low output noise and fast start-up times. The NR pin is high impedance so a low leakage  $C_{NR}$  capacitor must be used; most ceramic capacitors are appropriate for this configuration.

Note that for fastest start-up, apply  $V_{IN}$  first, and then drive the enable pin (EN) high. If EN is tied to IN, start-up is somewhat slower. The start-up switch is closed for approximately 135  $\mu$ s. To ensure that  $C_{NR}$  is fully charged during start-up, use a 0.01- $\mu$ F or smaller capacitor.

### 7.3.4 Undervoltage Lockout (UVLO)

The TPS799 uses an undervoltage lockout circuit to keep the output shut off until internal circuitry is operating properly. The UVLO circuit has a deglitch feature so that undershoot transients are typically ignored on the input if these transients are less than 50  $\mu$ s in duration.

## 7.4 Device Functional Modes

Driving EN over 1.2 V turns on the regulator. Driving EN below 0.4 V puts the regulator into shutdown mode, thus reducing the operating current to 150 nA, nominal.

## 8 Application and Implementation

### NOTE

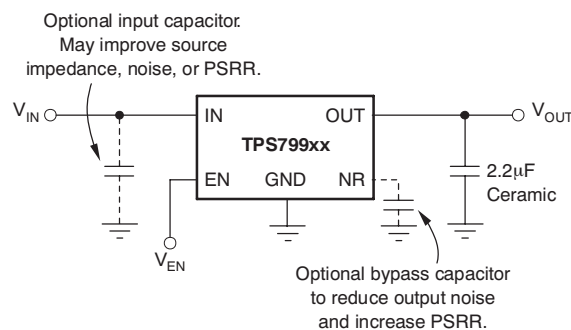
Information in the following applications sections is not part of the TI component specification, and TI does not warrant its accuracy or completeness. TI's customers are responsible for determining suitability of components for their purposes. Customers should validate and test their design implementation to confirm system functionality.

### 8.1 Application Information

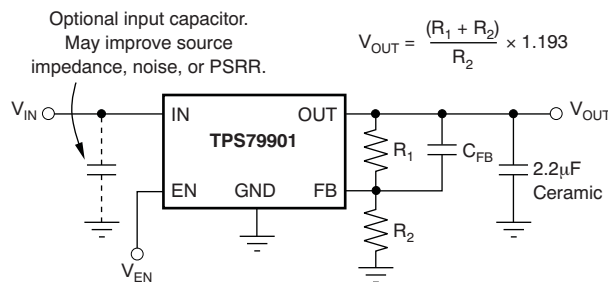
The TPS799 family of LDO regulators provides high PSRR while maintaining ultralow current consumption. The family also features inrush current protection and overshoot detection at the output.

### 8.2 Typical Applications

Figure 28 and Figure 29 show the basic circuit connections.



**Figure 28. Typical Application Circuit for Fixed Voltage Versions**



**Figure 29. Typical Application Circuit for Adjustable Voltage Version**

#### 8.2.1 Design Requirements

Select the desired device based on the output voltage.

Provide an input supply with adequate headroom to account for dropout and output current to account for the GND terminal current, and power the load.

#### 8.2.2 Detailed Design Procedure

##### 8.2.2.1 Input and Output Capacitor Requirements

Although an input capacitor is not required for stability, good analog design practice is to connect a 0.1-µF to 1-µF low ESR capacitor across the input supply near the regulator. This capacitor counteracts reactive input sources and improves transient response, noise rejection, and ripple rejection. A higher-value capacitor may be necessary if large, fast rise-time load transients are anticipated, or if the device is located several inches from the power source. If source impedance is not sufficiently low, a 0.1-µF input capacitor may be necessary to ensure stability.

## Typical Applications (continued)

The TPS799 is designed to be stable with standard ceramic capacitors with values of 2.2  $\mu\text{F}$  or greater. X5R- and X7R-type capacitors are best because they have minimal variation in value and ESR over temperature. Maximum ESR must be less than 1.0  $\Omega$ .

### 8.2.2.2 Output Noise

In most LDOs, the band gap is the dominant noise source. If a noise-reduction capacitor ( $C_{\text{NR}}$ ) is used with the TPS799, the band gap does not contribute significantly to noise. Instead, noise is dominated by the output resistor divider and the error amplifier input. To minimize noise in a given application, use a 0.01- $\mu\text{F}$  noise reduction capacitor. To further optimize noise, equivalent series resistance of the output capacitor can be set to approximately 0.2  $\Omega$ . This configuration maximizes phase margin in the control loop, reducing total output noise by up to 10%.

Noise can be referred to the feedback point; with  $C_{\text{NR}} = 0.01 \mu\text{F}$  total noise is approximately given by [Equation 1](#):

$$V_N = \frac{10.5 \mu\text{V}_{\text{RMS}}}{V} \times V_{\text{OUT}} \quad (1)$$

### 8.2.2.3 Dropout Voltage

The TPS799 uses a PMOS pass transistor to achieve a low dropout voltage. When  $(V_{\text{IN}} - V_{\text{OUT}})$  is less than the dropout voltage ( $V_{\text{DO}}$ ), the PMOS pass device is in its linear region of operation and  $r_{\text{DS(on)}}$  of the PMOS pass element is the input-to-output resistance. Because the PMOS device behaves like a resistor in dropout,  $V_{\text{DO}}$  approximately scales with the output current.

As with any linear regulator, PSRR degrades as  $(V_{\text{IN}} - V_{\text{OUT}})$  approaches dropout. This effect is illustrated in [Figure 10](#) through [Figure 18](#) in the [Typical Characteristics](#) section.

### 8.2.2.4 Transient Response

As with any regulator, increasing the size of the output capacitor reduces over- and undershoot magnitude, but increases the duration of the transient response. The transient response of the TPS799 is enhanced by an active pulldown device that engages when the output overshoots by approximately 5% or more when the device is enabled. When enabled, the pulldown device behaves like a 350- $\Omega$  resistor to ground.

### 8.2.2.5 Minimum Load

The TPS799 is stable with no output load. To meet the specified accuracy, a minimum load of 500  $\mu\text{A}$  is required. With loads less than 500  $\mu\text{A}$  at junction temperatures near 125°C, the output can drift up enough to cause the output pulldown device to turn on. The output pulldown device limits voltage drift to 5% typically; however, ground current can increase by approximately 50  $\mu\text{A}$ . In typical applications, the junction cannot reach high temperatures at light loads because there is no noticeable dissipated power. The specified ground current is then valid at no load in most applications.

### 8.2.2.6 Feedback Capacitor Requirements (TPS79901 Only)

The feedback capacitor,  $C_{\text{FB}}$ , shown in [Figure 29](#) is required for stability. For a parallel combination of  $R_1$  and  $R_2$  equal to 250 k $\Omega$ , any value from 3 pF to 1 nF can be used. Fixed voltage versions have an internal 30-pF feedback capacitor which is quick-charged at start-up. The adjustable version does not have this quick-charge circuit, so values below 5 pF should be used to ensure fast startup; values above 47 pF can be used to implement an output voltage soft-start. Larger value capacitors also improve noise slightly. The TPS79901 is stable in unity-gain configuration (OUT tied to FB) without  $C_{\text{FB}}$ .

## Typical Applications (continued)

### 8.2.3 Application Curve

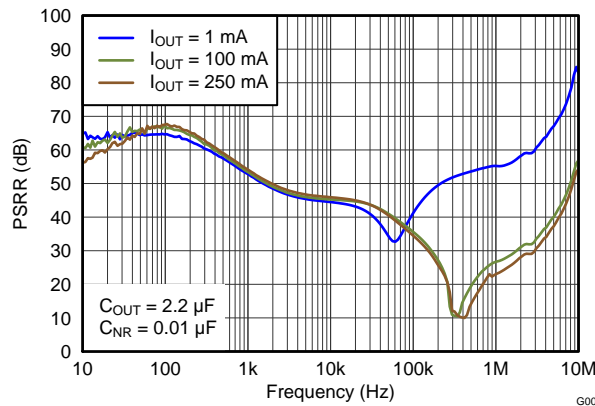


Figure 30. Power-Supply Rejection Ratio vs Frequency

### 8.3 Do's and Don'ts

Do place at least one 2.2- $\mu$ F ceramic capacitor as close as possible to the OUT pin of the regulator.

Do not place the output capacitor more than 10 mm away from the regulator.

Do connect a 0.1- $\mu$ F to 1- $\mu$ F low equivalent series resistance (ESR) capacitor across the IN pin and GND input of the regulator.

Do not exceed the absolute maximum ratings.

## 9 Power Supply Recommendations

These devices are designed to operate from an input voltage supply range between 2.7 V and 6.5 V. The input voltage range provides adequate headroom in order for the device to have a regulated output. This input supply is well-regulated and stable. If the input supply is noisy, additional input capacitors with low ESR can help improve the output noise performance.

## 10 Layout

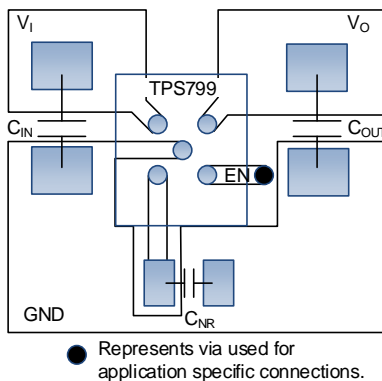
### 10.1 Layout Guidelines

#### 10.1.1 Board Layout Recommendations to Improve PSRR and Noise Performance

To improve ac performance (such as PSRR, output noise, and transient response), design the board with separate ground planes for  $V_{IN}$  and  $V_{OUT}$ , with each ground plane connected only at the GND pin of the device. In addition, connect the bypass capacitor directly to the GND pin of the device.



## 10.2 Layout Example



**Figure 31. Layout Example**

## 10.3 Thermal Information

### 10.3.1 Thermal Protection

Thermal protection disables the output when the junction temperature rises to approximately 165°C, allowing the device to cool. When the junction temperature cools to approximately 145°C the output circuitry is again enabled. Depending on power dissipation, thermal resistance, and ambient temperature, the thermal protection circuit may cycle on and off. This cycling limits the dissipation of the regulator, protecting it from damage resulting from overheating.

Any tendency to activate the thermal protection circuit indicates excessive power dissipation or an inadequate heatsink. For reliable operation, limit junction temperature to 125°C maximum. To estimate the margin of safety in a complete design (including heatsink), increase the ambient temperature until the thermal protection is triggered; use worst-case loads and signal conditions. For good reliability, thermal protection triggers at least 35°C above the maximum expected ambient condition of a particular application. This configuration produces a worst-case junction temperature of 125°C at the highest expected ambient temperature and worst-case load.

The internal protection circuitry of the TPS799 is designed to protect against overload conditions. This circuitry is not intended to replace proper heatsinking. Continuously running the device into thermal shutdown degrades device reliability.

### 10.3.2 Power Dissipation

The ability to remove heat from the die is different for each package type, presenting different considerations in the PCB layout. The PCB area around the device that is free of other components moves the heat from the device to the ambient air. Performance data for JEDEC low- and high-K boards are given in the [Thermal Information](#) table near the front of this data sheet. Using heavier copper increases the effectiveness in removing heat from the device. The addition of plated through-holes to heat-dissipating layers also improves heatsink effectiveness.

Power dissipation depends on input voltage and load conditions. Power dissipation is equal to the product of the output current times the voltage drop across the output pass element, as shown in [Equation 2](#):

$$P_D = (V_{IN} - V_{OUT}) \cdot I_{OUT} \quad (2)$$

### 10.3.3 Package Mounting

Solder pad footprint recommendations for the TPS799 are available from the TI's website at [www.ti.com](http://www.ti.com).

## 11 Device and Documentation Support

### 11.1 Device Support

#### 11.1.1 Development Support

##### 11.1.1.1 Evaluation Modules

An evaluation module (EVM) is available to assist in the initial circuit performance evaluation using the TPS799. This EVM, the TPS799 evaluation module, can be requested at the Texas Instruments web site through the product folders or purchased [directly from the TI eStore](#).

##### 11.1.1.2 Spice Models

Computer simulation of circuit performance using SPICE is often useful when analyzing the performance of analog circuits and systems. A SPICE model for the TPS799 is available through the product folders under simulation models.

#### 11.1.2 Device Nomenclature

**Table 1. Device Nomenclature<sup>(1)</sup>**

| PRODUCT           | V <sub>OUT</sub>  |
|-------------------|---|
| TPS799xx(x) yyy z | xx(x) is nominal output voltage (for example, 28 = 2.8 V, 285 = 2.85 V, 01 = Adjustable).<br>yyy is package designator.<br>z is package quantity. |

(1) For the most current package and ordering information see the Package Option Addendum at the end of this document, or visit the device product folder at [www.ti.com](http://www.ti.com).

### 11.2 Documentation Support

#### 11.2.1 Related Documentation

For related documentation, see the following:

- Application report: *Using New Thermal Metrics*, [SBVA025](#).
- Application report: *IC Package Thermal Metrics*, [SPRA953](#)
- *TPS799xxEVM-105 User's Guide*, [SLVU130](#)

### 11.3 Trademarks

*Bluetooth* is a registered trademark of Bluetooth SIG, Inc.

All other trademarks are the property of their respective owners.

### 11.4 Electrostatic Discharge Caution



This integrated circuit can be damaged by ESD. Texas Instruments recommends that all integrated circuits be handled with appropriate precautions. Failure to observe proper handling and installation procedures can cause damage.

ESD damage can range from subtle performance degradation to complete device failure. Precision integrated circuits may be more susceptible to damage because very small parametric changes could cause the device not to meet its published specifications.

### 11.5 Glossary

[SLYZ022](#) — *TI Glossary*.

This glossary lists and explains terms, acronyms, and definitions.

## 12 Mechanical, Packaging, and Orderable Information

The following pages include mechanical, packaging, and orderable information. This information is the most current data available for the designated devices. This data is subject to change without notice and revision of this document. For browser-based versions of this data sheet, refer to the left-hand navigation.

**PACKAGING INFORMATION**

| Orderable Device | Status<br>(1) | Package Type | Package<br>Drawing | Pins | Package<br>Qty | Eco Plan<br>(2)            | Lead/Ball Finish<br>(6) | MSL Peak Temp<br>(3) | Op Temp (°C) | Device Marking<br>(4/5) | Samples                 |
|------------------|---------------|--------------|--------------------|------|----------------|----------------------------|-------------------------|----------------------|--------------|-------------------------|-------------------------|
| TPS79901DDCR     | ACTIVE        | SOT-23-THIN  | DDC                | 5    | 3000           | Green (RoHS<br>& no Sb/Br) | CU NIPDAU               | Level-1-260C-UNLIM   | -40 to 125   | AWT                     | <a href="#">Samples</a> |
| TPS79901DDCRG4   | ACTIVE        | SOT-23-THIN  | DDC                | 5    | 3000           | Green (RoHS<br>& no Sb/Br) | CU NIPDAU               | Level-1-260C-UNLIM   | -40 to 125   | AWT                     | <a href="#">Samples</a> |
| TPS79901DDCT     | ACTIVE        | SOT-23-THIN  | DDC                | 5    | 250            | Green (RoHS<br>& no Sb/Br) | CU NIPDAU               | Level-1-260C-UNLIM   | -40 to 125   | AWT                     | <a href="#">Samples</a> |
| TPS79901DDCTG4   | ACTIVE        | SOT-23-THIN  | DDC                | 5    | 250            | Green (RoHS<br>& no Sb/Br) | CU NIPDAU               | Level-1-260C-UNLIM   | -40 to 125   | AWT                     | <a href="#">Samples</a> |
| TPS79901DRVR     | ACTIVE        | WSON         | DRV                | 6    | 3000           | Green (RoHS<br>& no Sb/Br) | CU NIPDAU               | Level-1-260C-UNLIM   | -40 to 125   | AWT                     | <a href="#">Samples</a> |
| TPS79901DRVRG4   | ACTIVE        | WSON         | DRV                | 6    | 3000           | Green (RoHS<br>& no Sb/Br) | CU NIPDAU               | Level-1-260C-UNLIM   | -40 to 125   | AWT                     | <a href="#">Samples</a> |
| TPS79901DRVT     | ACTIVE        | WSON         | DRV                | 6    | 250            | Green (RoHS<br>& no Sb/Br) | CU NIPDAU               | Level-1-260C-UNLIM   | -40 to 125   | AWT                     | <a href="#">Samples</a> |
| TPS79901DRVTG4   | ACTIVE        | WSON         | DRV                | 6    | 250            | Green (RoHS<br>& no Sb/Br) | CU NIPDAU               | Level-1-260C-UNLIM   | -40 to 125   | AWT                     | <a href="#">Samples</a> |
| TPS79901YZUR     | ACTIVE        | DSBGA        | YZU                | 5    | 3000           | Green (RoHS<br>& no Sb/Br) | SNAGCU                  | Level-1-260C-UNLIM   | -40 to 125   | E9                      | <a href="#">Samples</a> |
| TPS79901YZUT     | ACTIVE        | DSBGA        | YZU                | 5    | 250            | Green (RoHS<br>& no Sb/Br) | SNAGCU                  | Level-1-260C-UNLIM   | -40 to 125   | E9                      | <a href="#">Samples</a> |
| TPS799125YZUR    | ACTIVE        | DSBGA        | YZU                | 5    | 3000           | Green (RoHS<br>& no Sb/Br) | SNAGCU                  | Level-1-260C-UNLIM   | -40 to 125   | YZ                      | <a href="#">Samples</a> |
| TPS799125YZUT    | ACTIVE        | DSBGA        | YZU                | 5    | 250            | Green (RoHS<br>& no Sb/Br) | SNAGCU                  | Level-1-260C-UNLIM   | -40 to 125   | YZ                      | <a href="#">Samples</a> |
| TPS79912DDCR     | ACTIVE        | SOT-23-THIN  | DDC                | 5    | 3000           | Green (RoHS<br>& no Sb/Br) | CU NIPDAU               | Level-1-260C-UNLIM   | -40 to 125   | CCF                     | <a href="#">Samples</a> |
| TPS79912DDCRG4   | ACTIVE        | SOT-23-THIN  | DDC                | 5    | 3000           | Green (RoHS<br>& no Sb/Br) | CU NIPDAU               | Level-1-260C-UNLIM   | -40 to 125   | CCF                     | <a href="#">Samples</a> |
| TPS79912DDCT     | ACTIVE        | SOT-23-THIN  | DDC                | 5    | 250            | Green (RoHS<br>& no Sb/Br) | CU NIPDAU               | Level-1-260C-UNLIM   | -40 to 125   | CCF                     | <a href="#">Samples</a> |
| TPS79912DDCTG4   | ACTIVE        | SOT-23-THIN  | DDC                | 5    | 250            | Green (RoHS<br>& no Sb/Br) | CU NIPDAU               | Level-1-260C-UNLIM   | -40 to 125   | CCF                     | <a href="#">Samples</a> |
| TPS79912DRVR     | ACTIVE        | WSON         | DRV                | 6    | 3000           | Green (RoHS<br>& no Sb/Br) | CU NIPDAU               | Level-1-260C-UNLIM   | -40 to 125   | CCF                     | <a href="#">Samples</a> |

| Orderable Device | Status<br>(1) | Package Type | Package<br>Drawing | Pins | Package<br>Qty | Eco Plan<br>(2)            | Lead/Ball Finish<br>(6) | MSL Peak Temp<br>(3) | Op Temp (°C) | Device Marking<br>(4/5) | Samples                 |
|------------------|---------------|--------------|--------------------|------|----------------|----------------------------|-------------------------|----------------------|--------------|-------------------------|-------------------------|
| TPS79912DRV1T    | ACTIVE        | WSON         | DRV                | 6    | 250            | Green (RoHS<br>& no Sb/Br) | CU NIPDAU               | Level-1-260C-UNLIM   | -40 to 125   | CCF                     | <a href="#">Samples</a> |
| TPS79912DRV1TG4  | ACTIVE        | WSON         | DRV                | 6    | 250            | Green (RoHS<br>& no Sb/Br) | CU NIPDAU               | Level-1-260C-UNLIM   | -40 to 125   | CCF                     | <a href="#">Samples</a> |
| TPS79912YZUR     | ACTIVE        | DSBGA        | YZU                | 5    | 3000           | Green (RoHS<br>& no Sb/Br) | SNAGCU                  | Level-1-260C-UNLIM   | -40 to 125   | F8                      | <a href="#">Samples</a> |
| TPS79912YZUT     | ACTIVE        | DSBGA        | YZU                | 5    | 250            | Green (RoHS<br>& no Sb/Br) | SNAGCU                  | Level-1-260C-UNLIM   | -40 to 125   | F8                      | <a href="#">Samples</a> |
| TPS79913DDCR     | ACTIVE        | SOT-23-THIN  | DDC                | 5    | 3000           | Green (RoHS<br>& no Sb/Br) | CU NIPDAU               | Level-1-260C-UNLIM   | -40 to 125   | BUJ                     | <a href="#">Samples</a> |
| TPS79913DDCT     | ACTIVE        | SOT-23-THIN  | DDC                | 5    | 250            | Green (RoHS<br>& no Sb/Br) | CU NIPDAU               | Level-1-260C-UNLIM   | -40 to 125   | BUJ                     | <a href="#">Samples</a> |
| TPS79913DDCTG4   | ACTIVE        | SOT-23-THIN  | DDC                | 5    | 250            | Green (RoHS<br>& no Sb/Br) | CU NIPDAU               | Level-1-260C-UNLIM   | -40 to 125   | BUJ                     | <a href="#">Samples</a> |
| TPS79913YZUR     | ACTIVE        | DSBGA        | YZU                | 5    | 3000           | Green (RoHS<br>& no Sb/Br) | SNAGCU                  | Level-1-260C-UNLIM   | -40 to 125   | F9                      | <a href="#">Samples</a> |
| TPS79913YZUT     | ACTIVE        | DSBGA        | YZU                | 5    | 250            | Green (RoHS<br>& no Sb/Br) | SNAGCU                  | Level-1-260C-UNLIM   | -40 to 125   | F9                      | <a href="#">Samples</a> |
| TPS79915DDCR     | ACTIVE        | SOT-23-THIN  | DDC                | 5    | 3000           | Green (RoHS<br>& no Sb/Br) | CU NIPDAU               | Level-1-260C-UNLIM   | -40 to 125   | AWU                     | <a href="#">Samples</a> |
| TPS79915DDCRG4   | ACTIVE        | SOT-23-THIN  | DDC                | 5    | 3000           | Green (RoHS<br>& no Sb/Br) | CU NIPDAU               | Level-1-260C-UNLIM   | -40 to 125   | AWU                     | <a href="#">Samples</a> |
| TPS79915DDCT     | ACTIVE        | SOT-23-THIN  | DDC                | 5    | 250            | Green (RoHS<br>& no Sb/Br) | CU NIPDAU               | Level-1-260C-UNLIM   | -40 to 125   | AWU                     | <a href="#">Samples</a> |
| TPS79915DDCTG4   | ACTIVE        | SOT-23-THIN  | DDC                | 5    | 250            | Green (RoHS<br>& no Sb/Br) | CU NIPDAU               | Level-1-260C-UNLIM   | -40 to 125   | AWU                     | <a href="#">Samples</a> |
| TPS79915YZUR     | ACTIVE        | DSBGA        | YZU                | 5    | 3000           | Green (RoHS<br>& no Sb/Br) | SNAGCU                  | Level-1-260C-UNLIM   | -40 to 125   | EA                      | <a href="#">Samples</a> |
| TPS79915YZUT     | ACTIVE        | DSBGA        | YZU                | 5    | 250            | Green (RoHS<br>& no Sb/Br) | SNAGCU                  | Level-1-260C-UNLIM   | -40 to 125   | EA                      | <a href="#">Samples</a> |
| TPS799185DDCR    | ACTIVE        | SOT-23-THIN  | DDC                | 5    | 3000           | Green (RoHS<br>& no Sb/Br) | CU NIPDAU               | Level-1-260C-UNLIM   | -40 to 125   | CGP                     | <a href="#">Samples</a> |
| TPS799185DDCRG4  | ACTIVE        | SOT-23-THIN  | DDC                | 5    | 3000           | Green (RoHS<br>& no Sb/Br) | CU NIPDAU               | Level-1-260C-UNLIM   | -40 to 125   | CGP                     | <a href="#">Samples</a> |
| TPS799185DDCT    | ACTIVE        | SOT-23-THIN  | DDC                | 5    | 250            | Green (RoHS<br>& no Sb/Br) | CU NIPDAU               | Level-1-260C-UNLIM   | -40 to 125   | CGP                     | <a href="#">Samples</a> |

| Orderable Device | Status<br>(1) | Package Type | Package<br>Drawing | Pins | Package<br>Qty | Eco Plan<br>(2)            | Lead/Ball Finish<br>(6) | MSL Peak Temp<br>(3) | Op Temp (°C) | Device Marking<br>(4/5) | Samples                 |
|------------------|---------------|--------------|--------------------|------|----------------|----------------------------|-------------------------|----------------------|--------------|-------------------------|-------------------------|
| TPS799185YZUR    | ACTIVE        | DSBGA        | YZU                | 5    | 3000           | Green (RoHS<br>& no Sb/Br) | SNAGCU                  | Level-1-260C-UNLIM   | -40 to 125   | ZA                      | <a href="#">Samples</a> |
| TPS799185YZUT    | ACTIVE        | DSBGA        | YZU                | 5    | 250            | Green (RoHS<br>& no Sb/Br) | SNAGCU                  | Level-1-260C-UNLIM   | -40 to 125   | ZA                      | <a href="#">Samples</a> |
| TPS79918DDCR     | ACTIVE        | SOT-23-THIN  | DDC                | 5    | 3000           | Green (RoHS<br>& no Sb/Br) | CU NIPDAU               | Level-1-260C-UNLIM   | -40 to 125   | AWV                     | <a href="#">Samples</a> |
| TPS79918DDCRG4   | ACTIVE        | SOT-23-THIN  | DDC                | 5    | 3000           | Green (RoHS<br>& no Sb/Br) | CU NIPDAU               | Level-1-260C-UNLIM   | -40 to 125   | AWV                     | <a href="#">Samples</a> |
| TPS79918DDCT     | ACTIVE        | SOT-23-THIN  | DDC                | 5    | 250            | Green (RoHS<br>& no Sb/Br) | CU NIPDAU               | Level-1-260C-UNLIM   | -40 to 125   | AWV                     | <a href="#">Samples</a> |
| TPS79918DDCTG4   | ACTIVE        | SOT-23-THIN  | DDC                | 5    | 250            | Green (RoHS<br>& no Sb/Br) | CU NIPDAU               | Level-1-260C-UNLIM   | -40 to 125   | AWV                     | <a href="#">Samples</a> |
| TPS79918DRVR     | ACTIVE        | WSON         | DRV                | 6    | 3000           | Green (RoHS<br>& no Sb/Br) | CU NIPDAU               | Level-1-260C-UNLIM   | -40 to 125   | AWV                     | <a href="#">Samples</a> |
| TPS79918DRVRG4   | ACTIVE        | WSON         | DRV                | 6    | 3000           | Green (RoHS<br>& no Sb/Br) | CU NIPDAU               | Level-1-260C-UNLIM   | -40 to 125   | AWV                     | <a href="#">Samples</a> |
| TPS79918DRVT     | ACTIVE        | WSON         | DRV                | 6    | 250            | Green (RoHS<br>& no Sb/Br) | CU NIPDAU               | Level-1-260C-UNLIM   | -40 to 125   | AWV                     | <a href="#">Samples</a> |
| TPS79918DRVTG4   | ACTIVE        | WSON         | DRV                | 6    | 250            | Green (RoHS<br>& no Sb/Br) | CU NIPDAU               | Level-1-260C-UNLIM   | -40 to 125   | AWV                     | <a href="#">Samples</a> |
| TPS79918YZUR     | ACTIVE        | DSBGA        | YZU                | 5    | 3000           | Green (RoHS<br>& no Sb/Br) | SNAGCU                  | Level-1-260C-UNLIM   | -40 to 125   | EB                      | <a href="#">Samples</a> |
| TPS79918YZUT     | ACTIVE        | DSBGA        | YZU                | 5    | 250            | Green (RoHS<br>& no Sb/Br) | SNAGCU                  | Level-1-260C-UNLIM   | -40 to 125   | EB                      | <a href="#">Samples</a> |
| TPS799195DRVR    | ACTIVE        | WSON         | DRV                | 6    | 3000           | Green (RoHS<br>& no Sb/Br) | CU NIPDAU               | Level-1-260C-UNLIM   | -40 to 125   | BTP                     | <a href="#">Samples</a> |
| TPS799195DRVRG4  | ACTIVE        | WSON         | DRV                | 6    | 3000           | Green (RoHS<br>& no Sb/Br) | CU NIPDAU               | Level-1-260C-UNLIM   | -40 to 125   | BTP                     | <a href="#">Samples</a> |
| TPS799195DRVT    | ACTIVE        | WSON         | DRV                | 6    | 250            | Green (RoHS<br>& no Sb/Br) | CU NIPDAU               | Level-1-260C-UNLIM   | -40 to 125   | BTP                     | <a href="#">Samples</a> |
| TPS799195DRVTG4  | ACTIVE        | WSON         | DRV                | 6    | 250            | Green (RoHS<br>& no Sb/Br) | CU NIPDAU               | Level-1-260C-UNLIM   | -40 to 125   | BTP                     | <a href="#">Samples</a> |
| TPS799195YZUR    | ACTIVE        | DSBGA        | YZU                | 5    | 3000           | Green (RoHS<br>& no Sb/Br) | SNAGCU                  | Level-1-260C-UNLIM   | -40 to 125   | AO                      | <a href="#">Samples</a> |
| TPS799195YZUT    | ACTIVE        | DSBGA        | YZU                | 5    | 250            | Green (RoHS<br>& no Sb/Br) | SNAGCU                  | Level-1-260C-UNLIM   | -40 to 125   | AO                      | <a href="#">Samples</a> |

| Orderable Device | Status<br>(1) | Package Type | Package Drawing | Pins | Package Qty | Eco Plan<br>(2)         | Lead/Ball Finish<br>(6) | MSL Peak Temp<br>(3) | Op Temp (°C) | Device Marking<br>(4/5) | Samples                 |
|------------------|---------------|--------------|-----------------|------|-------------|-------------------------|-------------------------|----------------------|--------------|-------------------------|-------------------------|
| TPS79919YZUR     | ACTIVE        | DSBGA        | YZU             | 5    | 3000        | Green (RoHS & no Sb/Br) | SNAGCU                  | Level-1-260C-UNLIM   | -40 to 125   | F6                      | <a href="#">Samples</a> |
| TPS79919YZUT     | ACTIVE        | DSBGA        | YZU             | 5    | 250         | Green (RoHS & no Sb/Br) | SNAGCU                  | Level-1-260C-UNLIM   | -40 to 125   | F6                      | <a href="#">Samples</a> |
| TPS79920YZUR     | ACTIVE        | DSBGA        | YZU             | 5    | 3000        | Green (RoHS & no Sb/Br) | SNAGCU                  | Level-1-260C-UNLIM   | -40 to 125   | GA                      | <a href="#">Samples</a> |
| TPS79920YZUT     | ACTIVE        | DSBGA        | YZU             | 5    | 250         | Green (RoHS & no Sb/Br) | SNAGCU                  | Level-1-260C-UNLIM   | -40 to 125   | GA                      | <a href="#">Samples</a> |
| TPS79921YZUR     | ACTIVE        | DSBGA        | YZU             | 5    | 3000        | Green (RoHS & no Sb/Br) | SNAGCU                  | Level-1-260C-UNLIM   | -40 to 125   | G7                      | <a href="#">Samples</a> |
| TPS79921YZUT     | ACTIVE        | DSBGA        | YZU             | 5    | 250         | Green (RoHS & no Sb/Br) | SNAGCU                  | Level-1-260C-UNLIM   | -40 to 125   | G7                      | <a href="#">Samples</a> |
| TPS79925DDCR     | ACTIVE        | SOT-23-THIN  | DDC             | 5    | 3000        | Green (RoHS & no Sb/Br) | CU NIPDAU               | Level-1-260C-UNLIM   | -40 to 125   | AWW                     | <a href="#">Samples</a> |
| TPS79925DDCRG4   | ACTIVE        | SOT-23-THIN  | DDC             | 5    | 3000        | Green (RoHS & no Sb/Br) | CU NIPDAU               | Level-1-260C-UNLIM   | -40 to 125   | AWW                     | <a href="#">Samples</a> |
| TPS79925DDCT     | ACTIVE        | SOT-23-THIN  | DDC             | 5    | 250         | Green (RoHS & no Sb/Br) | CU NIPDAU               | Level-1-260C-UNLIM   | -40 to 125   | AWW                     | <a href="#">Samples</a> |
| TPS79925DDCTG4   | ACTIVE        | SOT-23-THIN  | DDC             | 5    | 250         | Green (RoHS & no Sb/Br) | CU NIPDAU               | Level-1-260C-UNLIM   | -40 to 125   | AWW                     | <a href="#">Samples</a> |
| TPS79925YZUR     | ACTIVE        | DSBGA        | YZU             | 5    | 3000        | Green (RoHS & no Sb/Br) | SNAGCU                  | Level-1-260C-UNLIM   | -40 to 125   | EC                      | <a href="#">Samples</a> |
| TPS79925YZUT     | ACTIVE        | DSBGA        | YZU             | 5    | 250         | Green (RoHS & no Sb/Br) | SNAGCU                  | Level-1-260C-UNLIM   | -40 to 125   | EC                      | <a href="#">Samples</a> |
| TPS79926YZUR     | ACTIVE        | DSBGA        | YZU             | 5    | 3000        | Green (RoHS & no Sb/Br) | SNAGCU                  | Level-1-260C-UNLIM   | -40 to 125   | F3                      | <a href="#">Samples</a> |
| TPS79926YZUT     | ACTIVE        | DSBGA        | YZU             | 5    | 250         | Green (RoHS & no Sb/Br) | SNAGCU                  | Level-1-260C-UNLIM   | -40 to 125   | F3                      | <a href="#">Samples</a> |
| TPS799275YZUR    | ACTIVE        | DSBGA        | YZU             | 5    | 3000        | Green (RoHS & no Sb/Br) | SNAGCU                  | Level-1-260C-UNLIM   | -40 to 125   | G2                      | <a href="#">Samples</a> |
| TPS799275YZUT    | ACTIVE        | DSBGA        | YZU             | 5    | 250         | Green (RoHS & no Sb/Br) | SNAGCU                  | Level-1-260C-UNLIM   | -40 to 125   | G2                      | <a href="#">Samples</a> |
| TPS79927DDCR     | ACTIVE        | SOT-23-THIN  | DDC             | 5    | 3000        | Green (RoHS & no Sb/Br) | CU NIPDAU               | Level-1-260C-UNLIM   | -40 to 125   | BWE                     | <a href="#">Samples</a> |
| TPS79927DDCT     | ACTIVE        | SOT-23-THIN  | DDC             | 5    | 250         | Green (RoHS & no Sb/Br) | CU NIPDAU               | Level-1-260C-UNLIM   | -40 to 125   | BWE                     | <a href="#">Samples</a> |

| Orderable Device | Status<br>(1) | Package Type | Package<br>Drawing | Pins | Package<br>Qty | Eco Plan<br>(2)            | Lead/Ball Finish<br>(6) | MSL Peak Temp<br>(3) | Op Temp (°C) | Device Marking<br>(4/5) | Samples                 |
|------------------|---------------|--------------|--------------------|------|----------------|----------------------------|-------------------------|----------------------|--------------|-------------------------|-------------------------|
| TPS79927DRVR     | ACTIVE        | WSON         | DRV                | 6    | 3000           | Green (RoHS<br>& no Sb/Br) | CU NIPDAU               | Level-1-260C-UNLIM   | -40 to 125   | BPM                     | <a href="#">Samples</a> |
| TPS79927DRVT     | ACTIVE        | WSON         | DRV                | 6    | 250            | Green (RoHS<br>& no Sb/Br) | CU NIPDAU               | Level-1-260C-UNLIM   | -40 to 125   | BPM                     | <a href="#">Samples</a> |
| TPS79927DRVTG4   | ACTIVE        | WSON         | DRV                | 6    | 250            | Green (RoHS<br>& no Sb/Br) | CU NIPDAU               | Level-1-260C-UNLIM   | -40 to 125   | BPM                     | <a href="#">Samples</a> |
| TPS79927YZUT     | ACTIVE        | DSBGA        | YZU                | 5    | 250            | Green (RoHS<br>& no Sb/Br) | SNAGCU                  | Level-1-260C-UNLIM   | -40 to 125   | F5                      | <a href="#">Samples</a> |
| TPS799285DDCR    | ACTIVE        | SOT-23-THIN  | DDC                | 5    | 3000           | Green (RoHS<br>& no Sb/Br) | CU NIPDAU               | Level-1-260C-UNLIM   | -40 to 125   | AXY                     | <a href="#">Samples</a> |
| TPS799285DDCRG4  | ACTIVE        | SOT-23-THIN  | DDC                | 5    | 3000           | Green (RoHS<br>& no Sb/Br) | CU NIPDAU               | Level-1-260C-UNLIM   | -40 to 125   | AXY                     | <a href="#">Samples</a> |
| TPS799285DDCT    | ACTIVE        | SOT-23-THIN  | DDC                | 5    | 250            | Green (RoHS<br>& no Sb/Br) | CU NIPDAU               | Level-1-260C-UNLIM   | -40 to 125   | AXY                     | <a href="#">Samples</a> |
| TPS799285DDCTG4  | ACTIVE        | SOT-23-THIN  | DDC                | 5    | 250            | Green (RoHS<br>& no Sb/Br) | CU NIPDAU               | Level-1-260C-UNLIM   | -40 to 125   | AXY                     | <a href="#">Samples</a> |
| TPS799285DRVR    | ACTIVE        | WSON         | DRV                | 6    | 3000           | Green (RoHS<br>& no Sb/Br) | CU NIPDAU               | Level-1-260C-UNLIM   | -40 to 125   | BST                     | <a href="#">Samples</a> |
| TPS799285DRVT    | ACTIVE        | WSON         | DRV                | 6    | 250            | Green (RoHS<br>& no Sb/Br) | CU NIPDAU               | Level-1-260C-UNLIM   | -40 to 125   | BST                     | <a href="#">Samples</a> |
| TPS799285YZUR    | ACTIVE        | DSBGA        | YZU                | 5    | 3000           | Green (RoHS<br>& no Sb/Br) | SNAGCU                  | Level-1-260C-UNLIM   | -40 to 125   | EE                      | <a href="#">Samples</a> |
| TPS79928DDCR     | ACTIVE        | SOT-23-THIN  | DDC                | 5    | 3000           | Green (RoHS<br>& no Sb/Br) | CU NIPDAU               | Level-1-260C-UNLIM   | -40 to 125   | AWX                     | <a href="#">Samples</a> |
| TPS79928DDCRG4   | ACTIVE        | SOT-23-THIN  | DDC                | 5    | 3000           | Green (RoHS<br>& no Sb/Br) | CU NIPDAU               | Level-1-260C-UNLIM   | -40 to 125   | AWX                     | <a href="#">Samples</a> |
| TPS79928DDCT     | ACTIVE        | SOT-23-THIN  | DDC                | 5    | 250            | Green (RoHS<br>& no Sb/Br) | CU NIPDAU               | Level-1-260C-UNLIM   | -40 to 125   | AWX                     | <a href="#">Samples</a> |
| TPS79928DDCTG4   | ACTIVE        | SOT-23-THIN  | DDC                | 5    | 250            | Green (RoHS<br>& no Sb/Br) | CU NIPDAU               | Level-1-260C-UNLIM   | -40 to 125   | AWX                     | <a href="#">Samples</a> |
| TPS79928DRVR     | ACTIVE        | WSON         | DRV                | 6    | 3000           | Green (RoHS<br>& no Sb/Br) | CU NIPDAU               | Level-1-260C-UNLIM   | -40 to 125   | AWX                     | <a href="#">Samples</a> |
| TPS79928DRVRG4   | ACTIVE        | WSON         | DRV                | 6    | 3000           | Green (RoHS<br>& no Sb/Br) | CU NIPDAU               | Level-1-260C-UNLIM   | -40 to 125   | AWX                     | <a href="#">Samples</a> |
| TPS79928DRVT     | ACTIVE        | WSON         | DRV                | 6    | 250            | Green (RoHS<br>& no Sb/Br) | CU NIPDAU               | Level-1-260C-UNLIM   | -40 to 125   | AWX                     | <a href="#">Samples</a> |

| Orderable Device | Status<br>(1) | Package Type | Package Drawing | Pins | Package Qty | Eco Plan<br>(2)         | Lead/Ball Finish<br>(6) | MSL Peak Temp<br>(3) | Op Temp (°C) | Device Marking<br>(4/5) | Samples                 |
|------------------|---------------|--------------|-----------------|------|-------------|-------------------------|-------------------------|----------------------|--------------|-------------------------|-------------------------|
| TPS79928DRV TG4  | ACTIVE        | WSON         | DRV             | 6    | 250         | Green (RoHS & no Sb/Br) | CU NIPDAU               | Level-1-260C-UNLIM   | -40 to 125   | AWX                     | <a href="#">Samples</a> |
| TPS79928YZUR     | ACTIVE        | DSBGA        | YZU             | 5    | 3000        | Green (RoHS & no Sb/Br) | SNAGCU                  | Level-1-260C-UNLIM   | -40 to 125   | ED                      | <a href="#">Samples</a> |
| TPS79928YZUT     | ACTIVE        | DSBGA        | YZU             | 5    | 250         | Green (RoHS & no Sb/Br) | SNAGCU                  | Level-1-260C-UNLIM   | -40 to 125   | ED                      | <a href="#">Samples</a> |
| TPS79930DDCR     | ACTIVE        | SOT-23-THIN  | DDC             | 5    | 3000        | Green (RoHS & no Sb/Br) | CU NIPDAU               | Level-1-260C-UNLIM   | -40 to 125   | AXZ                     | <a href="#">Samples</a> |
| TPS79930DDCRG4   | ACTIVE        | SOT-23-THIN  | DDC             | 5    | 3000        | Green (RoHS & no Sb/Br) | CU NIPDAU               | Level-1-260C-UNLIM   | -40 to 125   | AXZ                     | <a href="#">Samples</a> |
| TPS79930DDCT     | ACTIVE        | SOT-23-THIN  | DDC             | 5    | 250         | Green (RoHS & no Sb/Br) | CU NIPDAU               | Level-1-260C-UNLIM   | -40 to 125   | AXZ                     | <a href="#">Samples</a> |
| TPS79930DDCTG4   | ACTIVE        | SOT-23-THIN  | DDC             | 5    | 250         | Green (RoHS & no Sb/Br) | CU NIPDAU               | Level-1-260C-UNLIM   | -40 to 125   | AXZ                     | <a href="#">Samples</a> |
| TPS79930YZUR     | ACTIVE        | DSBGA        | YZU             | 5    | 3000        | Green (RoHS & no Sb/Br) | SNAGCU                  | Level-1-260C-UNLIM   | -40 to 125   | EF                      | <a href="#">Samples</a> |
| TPS79930YZUT     | ACTIVE        | DSBGA        | YZU             | 5    | 250         | Green (RoHS & no Sb/Br) | SNAGCU                  | Level-1-260C-UNLIM   | -40 to 125   | EF                      | <a href="#">Samples</a> |
| TPS799315DDCR    | ACTIVE        | SOT-23-THIN  | DDC             | 5    | 3000        | Green (RoHS & no Sb/Br) | CU NIPDAU               | Level-1-260C-UNLIM   | -40 to 125   | CGQ                     | <a href="#">Samples</a> |
| TPS799315DDCRG4  | ACTIVE        | SOT-23-THIN  | DDC             | 5    | 3000        | Green (RoHS & no Sb/Br) | CU NIPDAU               | Level-1-260C-UNLIM   | -40 to 125   | CGQ                     | <a href="#">Samples</a> |
| TPS799315DDCT    | ACTIVE        | SOT-23-THIN  | DDC             | 5    | 250         | Green (RoHS & no Sb/Br) | CU NIPDAU               | Level-1-260C-UNLIM   | -40 to 125   | CGQ                     | <a href="#">Samples</a> |
| TPS799315YZUR    | ACTIVE        | DSBGA        | YZU             | 5    | 3000        | Green (RoHS & no Sb/Br) | SNAGCU                  | Level-1-260C-UNLIM   | -40 to 125   | GP                      | <a href="#">Samples</a> |
| TPS799315YZUT    | ACTIVE        | DSBGA        | YZU             | 5    | 250         | Green (RoHS & no Sb/Br) | SNAGCU                  | Level-1-260C-UNLIM   | -40 to 125   | GP                      | <a href="#">Samples</a> |
| TPS79932YZUR     | ACTIVE        | DSBGA        | YZU             | 5    | 3000        | Green (RoHS & no Sb/Br) | SNAGCU                  | Level-1-260C-UNLIM   | -40 to 125   | (F4 ~ FY)               | <a href="#">Samples</a> |
| TPS79932YZUT     | ACTIVE        | DSBGA        | YZU             | 5    | 250         | Green (RoHS & no Sb/Br) | SNAGCU                  | Level-1-260C-UNLIM   | -40 to 125   | (F4 ~ FY)               | <a href="#">Samples</a> |
| TPS79933DDCR     | ACTIVE        | SOT-23-THIN  | DDC             | 5    | 3000        | Green (RoHS & no Sb/Br) | CU NIPDAU               | Level-1-260C-UNLIM   | -40 to 125   | AXX                     | <a href="#">Samples</a> |
| TPS79933DDCRG4   | ACTIVE        | SOT-23-THIN  | DDC             | 5    | 3000        | Green (RoHS & no Sb/Br) | CU NIPDAU               | Level-1-260C-UNLIM   | -40 to 125   | AXX                     | <a href="#">Samples</a> |



| Orderable Device | Status<br>(1) | Package Type | Package Drawing | Pins | Package Qty | Eco Plan<br>(2)         | Lead/Ball Finish<br>(6) | MSL Peak Temp<br>(3) | Op Temp (°C) | Device Marking<br>(4/5) | Samples                 |
|------------------|---------------|--------------|-----------------|------|-------------|-------------------------|-------------------------|----------------------|--------------|-------------------------|-------------------------|
| TPS79933DDCT     | ACTIVE        | SOT-23-THIN  | DDC             | 5    | 250         | Green (RoHS & no Sb/Br) | CU NIPDAU               | Level-1-260C-UNLIM   | -40 to 125   | AXX                     | <a href="#">Samples</a> |
| TPS79933DDCTG4   | ACTIVE        | SOT-23-THIN  | DDC             | 5    | 250         | Green (RoHS & no Sb/Br) | CU NIPDAU               | Level-1-260C-UNLIM   | -40 to 125   | AXX                     | <a href="#">Samples</a> |
| TPS79933DRVR     | ACTIVE        | WSON         | DRV             | 6    | 3000        | Green (RoHS & no Sb/Br) | CU NIPDAU               | Level-1-260C-UNLIM   | -40 to 125   | AXX                     | <a href="#">Samples</a> |
| TPS79933DRVRG4   | ACTIVE        | WSON         | DRV             | 6    | 3000        | Green (RoHS & no Sb/Br) | CU NIPDAU               | Level-1-260C-UNLIM   | -40 to 125   | AXX                     | <a href="#">Samples</a> |
| TPS79933DRVT     | ACTIVE        | WSON         | DRV             | 6    | 250         | Green (RoHS & no Sb/Br) | CU NIPDAU               | Level-1-260C-UNLIM   | -40 to 125   | AXX                     | <a href="#">Samples</a> |
| TPS79933DRVTG4   | ACTIVE        | WSON         | DRV             | 6    | 250         | Green (RoHS & no Sb/Br) | CU NIPDAU               | Level-1-260C-UNLIM   | -40 to 125   | AXX                     | <a href="#">Samples</a> |
| TPS79933YZUR     | ACTIVE        | DSBGA        | YZU             | 5    | 3000        | Green (RoHS & no Sb/Br) | SNAGCU                  | Level-1-260C-UNLIM   | -40 to 125   | EG                      | <a href="#">Samples</a> |
| TPS79933YZUT     | ACTIVE        | DSBGA        | YZU             | 5    | 250         | Green (RoHS & no Sb/Br) | SNAGCU                  | Level-1-260C-UNLIM   | -40 to 125   | EG                      | <a href="#">Samples</a> |
| TPS79942DDCR     | ACTIVE        | SOT-23-THIN  | DDC             | 5    | 3000        | Green (RoHS & no Sb/Br) | CU NIPDAU               | Level-1-260C-UNLIM   | -40 to 125   | CJQ                     | <a href="#">Samples</a> |
| TPS79942DDCRG4   | ACTIVE        | SOT-23-THIN  | DDC             | 5    | 3000        | Green (RoHS & no Sb/Br) | CU NIPDAU               | Level-1-260C-UNLIM   | -40 to 125   | CJQ                     | <a href="#">Samples</a> |
| TPS79942DDCT     | ACTIVE        | SOT-23-THIN  | DDC             | 5    | 250         | Green (RoHS & no Sb/Br) | CU NIPDAU               | Level-1-260C-UNLIM   | -40 to 125   | CJQ                     | <a href="#">Samples</a> |
| TPS79945YZUR     | ACTIVE        | DSBGA        | YZU             | 5    | 3000        | Green (RoHS & no Sb/Br) | SNAGCU                  | Level-1-260C-UNLIM   | -40 to 125   | FK                      | <a href="#">Samples</a> |
| TPS79945YZUT     | ACTIVE        | DSBGA        | YZU             | 5    | 250         | Green (RoHS & no Sb/Br) | SNAGCU                  | Level-1-260C-UNLIM   | -40 to 125   | FK                      | <a href="#">Samples</a> |

(1) The marketing status values are defined as follows:

**ACTIVE:** Product device recommended for new designs.

**LIFEBUY:** TI has announced that the device will be discontinued, and a lifetime-buy period is in effect.

**NRND:** Not recommended for new designs. Device is in production to support existing customers, but TI does not recommend using this part in a new design.

**PREVIEW:** Device has been announced but is not in production. Samples may or may not be available.

**OBSOLETE:** TI has discontinued the production of the device.

(2) Eco Plan - The planned eco-friendly classification: Pb-Free (RoHS), Pb-Free (RoHS Exempt), or Green (RoHS & no Sb/Br) - please check <http://www.ti.com/productcontent> for the latest availability information and additional product content details.

**TBD:** The Pb-Free/Green conversion plan has not been defined.

**Pb-Free (RoHS):** TI's terms "Lead-Free" or "Pb-Free" mean semiconductor products that are compatible with the current RoHS requirements for all 6 substances, including the requirement that lead not exceed 0.1% by weight in homogeneous materials. Where designed to be soldered at high temperatures, TI Pb-Free products are suitable for use in specified lead-free processes.

**Pb-Free (RoHS Exempt):** This component has a RoHS exemption for either 1) lead-based flip-chip solder bumps used between the die and package, or 2) lead-based die adhesive used between the die and leadframe. The component is otherwise considered Pb-Free (RoHS compatible) as defined above.

**Green (RoHS & no Sb/Br):** TI defines "Green" to mean Pb-Free (RoHS compatible), and free of Bromine (Br) and Antimony (Sb) based flame retardants (Br or Sb do not exceed 0.1% by weight in homogeneous material)

<sup>(3)</sup> MSL, Peak Temp. - The Moisture Sensitivity Level rating according to the JEDEC industry standard classifications, and peak solder temperature.

<sup>(4)</sup> There may be additional marking, which relates to the logo, the lot trace code information, or the environmental category on the device.

<sup>(5)</sup> Multiple Device Markings will be inside parentheses. Only one Device Marking contained in parentheses and separated by a "~" will appear on a device. If a line is indented then it is a continuation of the previous line and the two combined represent the entire Device Marking for that device.

<sup>(6)</sup> Lead/Ball Finish - Orderable Devices may have multiple material finish options. Finish options are separated by a vertical ruled line. Lead/Ball Finish values may wrap to two lines if the finish value exceeds the maximum column width.

**Important Information and Disclaimer:** The information provided on this page represents TI's knowledge and belief as of the date that it is provided. TI bases its knowledge and belief on information provided by third parties, and makes no representation or warranty as to the accuracy of such information. Efforts are underway to better integrate information from third parties. TI has taken and continues to take reasonable steps to provide representative and accurate information but may not have conducted destructive testing or chemical analysis on incoming materials and chemicals. TI and TI suppliers consider certain information to be proprietary, and thus CAS numbers and other limited information may not be available for release.

In no event shall TI's liability arising out of such information exceed the total purchase price of the TI part(s) at issue in this document sold by TI to Customer on an annual basis.

#### **OTHER QUALIFIED VERSIONS OF TPS799 :**

- Automotive: [TPS799-Q1](#)

NOTE: Qualified Version Definitions:

- Automotive - Q100 devices qualified for high-reliability automotive applications targeting zero defects

## TAPE AND REEL INFORMATION



### QUADRANT ASSIGNMENTS FOR PIN 1 ORIENTATION IN TAPE



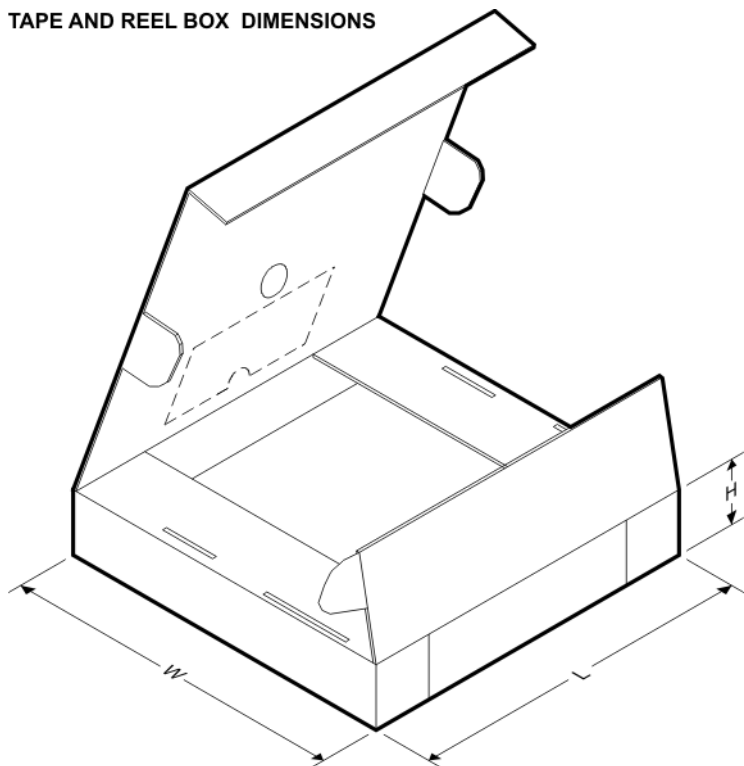
\*All dimensions are nominal

| Device        | Package Type | Package Drawing | Pins | SPQ  | Reel Diameter (mm) | Reel Width W1 (mm) | A0 (mm) | B0 (mm) | K0 (mm) | P1 (mm) | W (mm) | Pin1 Quadrant |
|---------------|--------------|-----------------|------|------|--------------------|--------------------|---------|---------|---------|---------|--------|---------------|
| TPS79901DDCR  | SOT-23-THIN  | DDC             | 5    | 3000 | 179.0              | 8.4                | 3.2     | 3.2     | 1.4     | 4.0     | 8.0    | Q3            |
| TPS79901DDCR  | SOT-23-THIN  | DDC             | 5    | 3000 | 180.0              | 8.4                | 3.1     | 3.05    | 1.1     | 4.0     | 8.0    | Q3            |
| TPS79901DDCT  | SOT-23-THIN  | DDC             | 5    | 250  | 180.0              | 8.4                | 3.1     | 3.05    | 1.1     | 4.0     | 8.0    | Q3            |
| TPS79901DDCT  | SOT-23-THIN  | DDC             | 5    | 250  | 179.0              | 8.4                | 3.2     | 3.2     | 1.4     | 4.0     | 8.0    | Q3            |
| TPS79901DRVR  | WSO          | DRV             | 6    | 3000 | 179.0              | 8.4                | 2.2     | 2.2     | 1.2     | 4.0     | 8.0    | Q2            |
| TPS79901DRVT  | WSO          | DRV             | 6    | 250  | 179.0              | 8.4                | 2.2     | 2.2     | 1.2     | 4.0     | 8.0    | Q2            |
| TPS79901YZUR  | DSBGA        | YZU             | 5    | 3000 | 180.0              | 8.4                | 1.07    | 1.42    | 0.74    | 4.0     | 8.0    | Q1            |
| TPS79901YZUT  | DSBGA        | YZU             | 5    | 250  | 180.0              | 8.4                | 1.07    | 1.42    | 0.74    | 4.0     | 8.0    | Q1            |
| TPS799125YZUR | DSBGA        | YZU             | 5    | 3000 | 180.0              | 8.4                | 1.07    | 1.42    | 0.74    | 4.0     | 8.0    | Q1            |
| TPS799125YZUT | DSBGA        | YZU             | 5    | 250  | 180.0              | 8.4                | 1.07    | 1.42    | 0.74    | 4.0     | 8.0    | Q1            |
| TPS79912DDCR  | SOT-23-THIN  | DDC             | 5    | 3000 | 179.0              | 8.4                | 3.2     | 3.2     | 1.4     | 4.0     | 8.0    | Q3            |
| TPS79912DDCT  | SOT-23-THIN  | DDC             | 5    | 250  | 179.0              | 8.4                | 3.2     | 3.2     | 1.4     | 4.0     | 8.0    | Q3            |
| TPS79912DRVR  | WSO          | DRV             | 6    | 3000 | 179.0              | 8.4                | 2.2     | 2.2     | 1.2     | 4.0     | 8.0    | Q2            |
| TPS79912DRVT  | WSO          | DRV             | 6    | 250  | 179.0              | 8.4                | 2.2     | 2.2     | 1.2     | 4.0     | 8.0    | Q2            |

| Device        | Package Type | Package Drawing | Pins | SPQ  | Reel Diameter (mm) | Reel Width W1 (mm) | A0 (mm) | B0 (mm) | K0 (mm) | P1 (mm) | W (mm) | Pin1 Quadrant |
|---------------|--------------|-----------------|------|------|--------------------|--------------------|---------|---------|---------|---------|--------|---------------|
| TPS79912YZUR  | DSBGA        | YZU             | 5    | 3000 | 180.0              | 8.4                | 1.07    | 1.42    | 0.74    | 4.0     | 8.0    | Q1            |
| TPS79912YZUT  | DSBGA        | YZU             | 5    | 250  | 180.0              | 8.4                | 1.07    | 1.42    | 0.74    | 4.0     | 8.0    | Q1            |
| TPS79913DDCR  | SOT-23-THIN  | DDC             | 5    | 3000 | 179.0              | 8.4                | 3.2     | 3.2     | 1.4     | 4.0     | 8.0    | Q3            |
| TPS79913DDCT  | SOT-23-THIN  | DDC             | 5    | 250  | 179.0              | 8.4                | 3.2     | 3.2     | 1.4     | 4.0     | 8.0    | Q3            |
| TPS79913YZUR  | DSBGA        | YZU             | 5    | 3000 | 180.0              | 8.4                | 1.07    | 1.42    | 0.74    | 4.0     | 8.0    | Q1            |
| TPS79913YZUT  | DSBGA        | YZU             | 5    | 250  | 180.0              | 8.4                | 1.07    | 1.42    | 0.74    | 4.0     | 8.0    | Q1            |
| TPS79915DDCR  | SOT-23-THIN  | DDC             | 5    | 3000 | 179.0              | 8.4                | 3.2     | 3.2     | 1.4     | 4.0     | 8.0    | Q3            |
| TPS79915DDCT  | SOT-23-THIN  | DDC             | 5    | 250  | 179.0              | 8.4                | 3.2     | 3.2     | 1.4     | 4.0     | 8.0    | Q3            |
| TPS79915YZUR  | DSBGA        | YZU             | 5    | 3000 | 180.0              | 8.4                | 1.07    | 1.42    | 0.74    | 4.0     | 8.0    | Q1            |
| TPS79915YZUT  | DSBGA        | YZU             | 5    | 250  | 180.0              | 8.4                | 1.07    | 1.42    | 0.74    | 4.0     | 8.0    | Q1            |
| TPS799185DDCR | SOT-23-THIN  | DDC             | 5    | 3000 | 179.0              | 8.4                | 3.2     | 3.2     | 1.4     | 4.0     | 8.0    | Q3            |
| TPS799185DDCT | SOT-23-THIN  | DDC             | 5    | 250  | 179.0              | 8.4                | 3.2     | 3.2     | 1.4     | 4.0     | 8.0    | Q3            |
| TPS799185YZUR | DSBGA        | YZU             | 5    | 3000 | 180.0              | 8.4                | 1.07    | 1.42    | 0.74    | 4.0     | 8.0    | Q1            |
| TPS799185YZUT | DSBGA        | YZU             | 5    | 250  | 180.0              | 8.4                | 1.07    | 1.42    | 0.74    | 4.0     | 8.0    | Q1            |
| TPS79918DDCR  | SOT-23-THIN  | DDC             | 5    | 3000 | 179.0              | 8.4                | 3.2     | 3.2     | 1.4     | 4.0     | 8.0    | Q3            |
| TPS79918DDCT  | SOT-23-THIN  | DDC             | 5    | 250  | 179.0              | 8.4                | 3.2     | 3.2     | 1.4     | 4.0     | 8.0    | Q3            |
| TPS79918DRVR  | WSON         | DRV             | 6    | 3000 | 179.0              | 8.4                | 2.2     | 2.2     | 1.2     | 4.0     | 8.0    | Q2            |
| TPS79918DRVT  | WSON         | DRV             | 6    | 250  | 179.0              | 8.4                | 2.2     | 2.2     | 1.2     | 4.0     | 8.0    | Q2            |
| TPS79918YZUR  | DSBGA        | YZU             | 5    | 3000 | 180.0              | 8.4                | 1.07    | 1.42    | 0.74    | 4.0     | 8.0    | Q1            |
| TPS79918YZUT  | DSBGA        | YZU             | 5    | 250  | 180.0              | 8.4                | 1.07    | 1.42    | 0.74    | 4.0     | 8.0    | Q1            |
| TPS799195DRVR | WSON         | DRV             | 6    | 3000 | 179.0              | 8.4                | 2.2     | 2.2     | 1.2     | 4.0     | 8.0    | Q2            |
| TPS799195DRVT | WSON         | DRV             | 6    | 250  | 179.0              | 8.4                | 2.2     | 2.2     | 1.2     | 4.0     | 8.0    | Q2            |
| TPS799195YZUR | DSBGA        | YZU             | 5    | 3000 | 180.0              | 8.4                | 1.07    | 1.42    | 0.74    | 4.0     | 8.0    | Q1            |
| TPS799195YZUT | DSBGA        | YZU             | 5    | 250  | 180.0              | 8.4                | 1.07    | 1.42    | 0.74    | 4.0     | 8.0    | Q1            |
| TPS79919YZUR  | DSBGA        | YZU             | 5    | 3000 | 180.0              | 8.4                | 1.07    | 1.42    | 0.74    | 4.0     | 8.0    | Q1            |
| TPS79919YZUT  | DSBGA        | YZU             | 5    | 250  | 180.0              | 8.4                | 1.07    | 1.42    | 0.74    | 4.0     | 8.0    | Q1            |
| TPS79920YZUR  | DSBGA        | YZU             | 5    | 3000 | 180.0              | 8.4                | 1.07    | 1.42    | 0.74    | 4.0     | 8.0    | Q1            |
| TPS79920YZUT  | DSBGA        | YZU             | 5    | 250  | 180.0              | 8.4                | 1.07    | 1.42    | 0.74    | 4.0     | 8.0    | Q1            |
| TPS79921YZUR  | DSBGA        | YZU             | 5    | 3000 | 180.0              | 8.4                | 1.07    | 1.42    | 0.74    | 4.0     | 8.0    | Q1            |
| TPS79921YZUT  | DSBGA        | YZU             | 5    | 250  | 180.0              | 8.4                | 1.07    | 1.42    | 0.74    | 4.0     | 8.0    | Q1            |
| TPS79925DDCR  | SOT-23-THIN  | DDC             | 5    | 3000 | 179.0              | 8.4                | 3.2     | 3.2     | 1.4     | 4.0     | 8.0    | Q3            |
| TPS79925DDCT  | SOT-23-THIN  | DDC             | 5    | 250  | 179.0              | 8.4                | 3.2     | 3.2     | 1.4     | 4.0     | 8.0    | Q3            |
| TPS79925YZUR  | DSBGA        | YZU             | 5    | 3000 | 180.0              | 8.4                | 1.07    | 1.42    | 0.74    | 4.0     | 8.0    | Q1            |
| TPS79925YZUT  | DSBGA        | YZU             | 5    | 250  | 180.0              | 8.4                | 1.07    | 1.42    | 0.74    | 4.0     | 8.0    | Q1            |
| TPS79926YZUR  | DSBGA        | YZU             | 5    | 3000 | 180.0              | 8.4                | 1.07    | 1.42    | 0.74    | 4.0     | 8.0    | Q1            |
| TPS79926YZUT  | DSBGA        | YZU             | 5    | 250  | 180.0              | 8.4                | 1.07    | 1.42    | 0.74    | 4.0     | 8.0    | Q1            |

| Device        | Package Type | Package Drawing | Pins | SPQ  | Reel Diameter (mm) | Reel Width W1 (mm) | A0 (mm) | B0 (mm) | K0 (mm) | P1 (mm) | W (mm) | Pin1 Quadrant |
|---------------|--------------|-----------------|------|------|--------------------|--------------------|---------|---------|---------|---------|--------|---------------|
| TPS799275YZUR | DSBGA        | YZU             | 5    | 3000 | 180.0              | 8.4                | 1.07    | 1.42    | 0.74    | 4.0     | 8.0    | Q1            |
| TPS799275YZUT | DSBGA        | YZU             | 5    | 250  | 180.0              | 8.4                | 1.07    | 1.42    | 0.74    | 4.0     | 8.0    | Q1            |
| TPS79927DDCR  | SOT-23-THIN  | DDC             | 5    | 3000 | 179.0              | 8.4                | 3.2     | 3.2     | 1.4     | 4.0     | 8.0    | Q3            |
| TPS79927DDCT  | SOT-23-THIN  | DDC             | 5    | 250  | 179.0              | 8.4                | 3.2     | 3.2     | 1.4     | 4.0     | 8.0    | Q3            |
| TPS79927DRVR  | WSON         | DRV             | 6    | 3000 | 179.0              | 8.4                | 2.2     | 2.2     | 1.2     | 4.0     | 8.0    | Q2            |
| TPS79927DRVT  | WSON         | DRV             | 6    | 250  | 179.0              | 8.4                | 2.2     | 2.2     | 1.2     | 4.0     | 8.0    | Q2            |
| TPS79927YZUT  | DSBGA        | YZU             | 5    | 250  | 180.0              | 8.4                | 1.07    | 1.42    | 0.74    | 4.0     | 8.0    | Q1            |
| TPS799285DDCR | SOT-23-THIN  | DDC             | 5    | 3000 | 179.0              | 8.4                | 3.2     | 3.2     | 1.4     | 4.0     | 8.0    | Q3            |
| TPS799285DDCT | SOT-23-THIN  | DDC             | 5    | 250  | 179.0              | 8.4                | 3.2     | 3.2     | 1.4     | 4.0     | 8.0    | Q3            |
| TPS799285DRVR | WSON         | DRV             | 6    | 3000 | 179.0              | 8.4                | 2.2     | 2.2     | 1.2     | 4.0     | 8.0    | Q2            |
| TPS799285DRVT | WSON         | DRV             | 6    | 250  | 179.0              | 8.4                | 2.2     | 2.2     | 1.2     | 4.0     | 8.0    | Q2            |
| TPS799285YZUR | DSBGA        | YZU             | 5    | 3000 | 180.0              | 8.4                | 1.07    | 1.42    | 0.74    | 4.0     | 8.0    | Q1            |
| TPS79928DDCR  | SOT-23-THIN  | DDC             | 5    | 3000 | 179.0              | 8.4                | 3.2     | 3.2     | 1.4     | 4.0     | 8.0    | Q3            |
| TPS79928DDCT  | SOT-23-THIN  | DDC             | 5    | 250  | 179.0              | 8.4                | 3.2     | 3.2     | 1.4     | 4.0     | 8.0    | Q3            |
| TPS79928DRVR  | WSON         | DRV             | 6    | 3000 | 179.0              | 8.4                | 2.2     | 2.2     | 1.2     | 4.0     | 8.0    | Q2            |
| TPS79928DRVT  | WSON         | DRV             | 6    | 250  | 179.0              | 8.4                | 2.2     | 2.2     | 1.2     | 4.0     | 8.0    | Q2            |
| TPS79928YZUR  | DSBGA        | YZU             | 5    | 3000 | 180.0              | 8.4                | 1.07    | 1.42    | 0.74    | 4.0     | 8.0    | Q1            |
| TPS79928YZUT  | DSBGA        | YZU             | 5    | 250  | 180.0              | 8.4                | 1.07    | 1.42    | 0.74    | 4.0     | 8.0    | Q1            |
| TPS79930DDCR  | SOT-23-THIN  | DDC             | 5    | 3000 | 180.0              | 8.4                | 3.1     | 3.05    | 1.1     | 4.0     | 8.0    | Q3            |
| TPS79930DDCR  | SOT-23-THIN  | DDC             | 5    | 3000 | 179.0              | 8.4                | 3.2     | 3.2     | 1.4     | 4.0     | 8.0    | Q3            |
| TPS79930DDCT  | SOT-23-THIN  | DDC             | 5    | 250  | 179.0              | 8.4                | 3.2     | 3.2     | 1.4     | 4.0     | 8.0    | Q3            |
| TPS79930YZUR  | DSBGA        | YZU             | 5    | 3000 | 180.0              | 8.4                | 1.07    | 1.42    | 0.74    | 4.0     | 8.0    | Q1            |
| TPS79930YZUT  | DSBGA        | YZU             | 5    | 250  | 180.0              | 8.4                | 1.07    | 1.42    | 0.74    | 4.0     | 8.0    | Q1            |
| TPS799315DDCR | SOT-23-THIN  | DDC             | 5    | 3000 | 179.0              | 8.4                | 3.2     | 3.2     | 1.4     | 4.0     | 8.0    | Q3            |
| TPS799315DDCT | SOT-23-THIN  | DDC             | 5    | 250  | 179.0              | 8.4                | 3.2     | 3.2     | 1.4     | 4.0     | 8.0    | Q3            |
| TPS799315YZUR | DSBGA        | YZU             | 5    | 3000 | 180.0              | 8.4                | 1.07    | 1.42    | 0.74    | 4.0     | 8.0    | Q1            |
| TPS799315YZUT | DSBGA        | YZU             | 5    | 250  | 180.0              | 8.4                | 1.07    | 1.42    | 0.74    | 4.0     | 8.0    | Q1            |
| TPS79932YZUR  | DSBGA        | YZU             | 5    | 3000 | 180.0              | 8.4                | 1.07    | 1.42    | 0.74    | 4.0     | 8.0    | Q1            |
| TPS79932YZUT  | DSBGA        | YZU             | 5    | 250  | 180.0              | 8.4                | 1.07    | 1.42    | 0.74    | 4.0     | 8.0    | Q1            |
| TPS79933DDCR  | SOT-23-THIN  | DDC             | 5    | 3000 | 179.0              | 8.4                | 3.2     | 3.2     | 1.4     | 4.0     | 8.0    | Q3            |
| TPS79933DDCR  | SOT-23-THIN  | DDC             | 5    | 3000 | 180.0              | 8.4                | 3.1     | 3.05    | 1.1     | 4.0     | 8.0    | Q3            |
| TPS79933DDCT  | SOT-23-THIN  | DDC             | 5    | 250  | 179.0              | 8.4                | 3.2     | 3.2     | 1.4     | 4.0     | 8.0    | Q3            |
| TPS79933DDCT  | SOT-         | DDC             | 5    | 250  | 180.0              | 8.4                | 3.1     | 3.05    | 1.1     | 4.0     | 8.0    | Q3            |

| Device       | Package Type | Package Drawing | Pins | SPQ  | Reel Diameter (mm) | Reel Width W1 (mm) | A0 (mm) | B0 (mm) | K0 (mm) | P1 (mm) | W (mm) | Pin1 Quadrant |
|--------------|--------------|-----------------|------|------|--------------------|--------------------|---------|---------|---------|---------|--------|---------------|
|              | 23-THIN      |                 |      |      |                    |                    |         |         |         |         |        |               |
| TPS79933DRVR | WSON         | DRV             | 6    | 3000 | 179.0              | 8.4                | 2.2     | 2.2     | 1.2     | 4.0     | 8.0    | Q2            |
| TPS79933DRVT | WSON         | DRV             | 6    | 250  | 179.0              | 8.4                | 2.2     | 2.2     | 1.2     | 4.0     | 8.0    | Q2            |
| TPS79933YZUR | DSBGA        | YZU             | 5    | 3000 | 180.0              | 8.4                | 1.07    | 1.42    | 0.74    | 4.0     | 8.0    | Q1            |
| TPS79933YZUT | DSBGA        | YZU             | 5    | 250  | 180.0              | 8.4                | 1.07    | 1.42    | 0.74    | 4.0     | 8.0    | Q1            |
| TPS79942DDCR | SOT-23-THIN  | DDC             | 5    | 3000 | 179.0              | 8.4                | 3.2     | 3.2     | 1.4     | 4.0     | 8.0    | Q3            |
| TPS79942DDCT | SOT-23-THIN  | DDC             | 5    | 250  | 179.0              | 8.4                | 3.2     | 3.2     | 1.4     | 4.0     | 8.0    | Q3            |
| TPS79945YZUR | DSBGA        | YZU             | 5    | 3000 | 180.0              | 8.4                | 1.07    | 1.42    | 0.74    | 4.0     | 8.0    | Q1            |
| TPS79945YZUT | DSBGA        | YZU             | 5    | 250  | 180.0              | 8.4                | 1.07    | 1.42    | 0.74    | 4.0     | 8.0    | Q1            |

**TAPE AND REEL BOX DIMENSIONS**


\*All dimensions are nominal

| Device       | Package Type | Package Drawing | Pins | SPQ  | Length (mm) | Width (mm) | Height (mm) |
|--------------|--------------|-----------------|------|------|-------------|------------|-------------|
| TPS79901DDCR | SOT-23-THIN  | DDC             | 5    | 3000 | 203.0       | 203.0      | 35.0        |
| TPS79901DDCR | SOT-23-THIN  | DDC             | 5    | 3000 | 202.0       | 201.0      | 28.0        |
| TPS79901DDCT | SOT-23-THIN  | DDC             | 5    | 250  | 202.0       | 201.0      | 28.0        |
| TPS79901DDCT | SOT-23-THIN  | DDC             | 5    | 250  | 203.0       | 203.0      | 35.0        |
| TPS79901DRVR | WSON         | DRV             | 6    | 3000 | 203.0       | 203.0      | 35.0        |
| TPS79901DRVT | WSON         | DRV             | 6    | 250  | 203.0       | 203.0      | 35.0        |

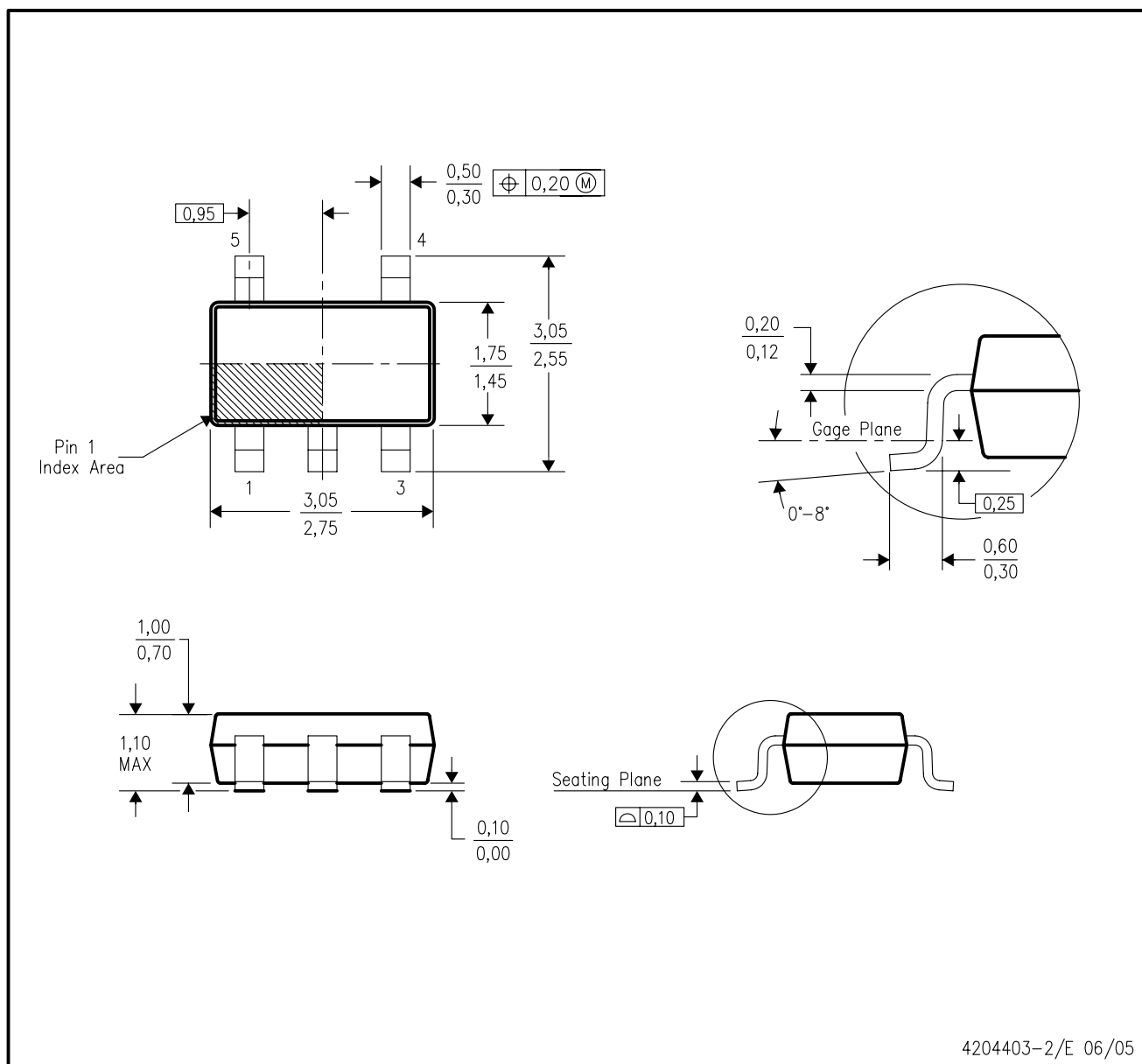
| Device        | Package Type | Package Drawing | Pins | SPQ  | Length (mm) | Width (mm) | Height (mm) |
|---------------|--------------|-----------------|------|------|-------------|------------|-------------|
| TPS79901YZUR  | DSBGA        | YZU             | 5    | 3000 | 210.0       | 185.0      | 35.0        |
| TPS79901YZUT  | DSBGA        | YZU             | 5    | 250  | 210.0       | 185.0      | 35.0        |
| TPS799125YZUR | DSBGA        | YZU             | 5    | 3000 | 182.0       | 182.0      | 20.0        |
| TPS799125YZUT | DSBGA        | YZU             | 5    | 250  | 182.0       | 182.0      | 20.0        |
| TPS79912DDCR  | SOT-23-THIN  | DDC             | 5    | 3000 | 203.0       | 203.0      | 35.0        |
| TPS79912DDCT  | SOT-23-THIN  | DDC             | 5    | 250  | 203.0       | 203.0      | 35.0        |
| TPS79912DRVR  | WSON         | DRV             | 6    | 3000 | 203.0       | 203.0      | 35.0        |
| TPS79912DRVT  | WSON         | DRV             | 6    | 250  | 203.0       | 203.0      | 35.0        |
| TPS79912YZUR  | DSBGA        | YZU             | 5    | 3000 | 210.0       | 185.0      | 35.0        |
| TPS79912YZUT  | DSBGA        | YZU             | 5    | 250  | 210.0       | 185.0      | 35.0        |
| TPS79913DDCR  | SOT-23-THIN  | DDC             | 5    | 3000 | 203.0       | 203.0      | 35.0        |
| TPS79913DDCT  | SOT-23-THIN  | DDC             | 5    | 250  | 203.0       | 203.0      | 35.0        |
| TPS79913YZUR  | DSBGA        | YZU             | 5    | 3000 | 210.0       | 185.0      | 35.0        |
| TPS79913YZUT  | DSBGA        | YZU             | 5    | 250  | 210.0       | 185.0      | 35.0        |
| TPS79915DDCR  | SOT-23-THIN  | DDC             | 5    | 3000 | 203.0       | 203.0      | 35.0        |
| TPS79915DDCT  | SOT-23-THIN  | DDC             | 5    | 250  | 203.0       | 203.0      | 35.0        |
| TPS79915YZUR  | DSBGA        | YZU             | 5    | 3000 | 210.0       | 185.0      | 35.0        |
| TPS79915YZUT  | DSBGA        | YZU             | 5    | 250  | 210.0       | 185.0      | 35.0        |
| TPS799185DDCR | SOT-23-THIN  | DDC             | 5    | 3000 | 203.0       | 203.0      | 35.0        |
| TPS799185DDCT | SOT-23-THIN  | DDC             | 5    | 250  | 203.0       | 203.0      | 35.0        |
| TPS799185YZUR | DSBGA        | YZU             | 5    | 3000 | 182.0       | 182.0      | 20.0        |
| TPS799185YZUT | DSBGA        | YZU             | 5    | 250  | 182.0       | 182.0      | 20.0        |
| TPS79918DDCR  | SOT-23-THIN  | DDC             | 5    | 3000 | 203.0       | 203.0      | 35.0        |
| TPS79918DDCT  | SOT-23-THIN  | DDC             | 5    | 250  | 203.0       | 203.0      | 35.0        |
| TPS79918DRVR  | WSON         | DRV             | 6    | 3000 | 203.0       | 203.0      | 35.0        |
| TPS79918DRVT  | WSON         | DRV             | 6    | 250  | 203.0       | 203.0      | 35.0        |
| TPS79918YZUR  | DSBGA        | YZU             | 5    | 3000 | 182.0       | 182.0      | 20.0        |
| TPS79918YZUT  | DSBGA        | YZU             | 5    | 250  | 182.0       | 182.0      | 20.0        |
| TPS799195DRVR | WSON         | DRV             | 6    | 3000 | 203.0       | 203.0      | 35.0        |
| TPS799195DRVT | WSON         | DRV             | 6    | 250  | 203.0       | 203.0      | 35.0        |
| TPS799195YZUR | DSBGA        | YZU             | 5    | 3000 | 182.0       | 182.0      | 20.0        |
| TPS799195YZUT | DSBGA        | YZU             | 5    | 250  | 182.0       | 182.0      | 20.0        |
| TPS79919YZUR  | DSBGA        | YZU             | 5    | 3000 | 210.0       | 185.0      | 35.0        |
| TPS79919YZUT  | DSBGA        | YZU             | 5    | 250  | 210.0       | 185.0      | 35.0        |
| TPS79920YZUR  | DSBGA        | YZU             | 5    | 3000 | 210.0       | 185.0      | 35.0        |
| TPS79920YZUT  | DSBGA        | YZU             | 5    | 250  | 210.0       | 185.0      | 35.0        |
| TPS79921YZUR  | DSBGA        | YZU             | 5    | 3000 | 210.0       | 185.0      | 35.0        |
| TPS79921YZUT  | DSBGA        | YZU             | 5    | 250  | 210.0       | 185.0      | 35.0        |
| TPS79925DDCR  | SOT-23-THIN  | DDC             | 5    | 3000 | 203.0       | 203.0      | 35.0        |
| TPS79925DDCT  | SOT-23-THIN  | DDC             | 5    | 250  | 203.0       | 203.0      | 35.0        |
| TPS79925YZUR  | DSBGA        | YZU             | 5    | 3000 | 210.0       | 185.0      | 35.0        |
| TPS79925YZUT  | DSBGA        | YZU             | 5    | 250  | 210.0       | 185.0      | 35.0        |
| TPS79926YZUR  | DSBGA        | YZU             | 5    | 3000 | 182.0       | 182.0      | 20.0        |
| TPS79926YZUT  | DSBGA        | YZU             | 5    | 250  | 182.0       | 182.0      | 20.0        |

| Device        | Package Type | Package Drawing | Pins | SPQ  | Length (mm) | Width (mm) | Height (mm) |
|---------------|--------------|-----------------|------|------|-------------|------------|-------------|
| TPS799275YZUR | DSBGA        | YZU             | 5    | 3000 | 210.0       | 185.0      | 35.0        |
| TPS799275YZUT | DSBGA        | YZU             | 5    | 250  | 210.0       | 185.0      | 35.0        |
| TPS79927DDCR  | SOT-23-THIN  | DDC             | 5    | 3000 | 203.0       | 203.0      | 35.0        |
| TPS79927DDCT  | SOT-23-THIN  | DDC             | 5    | 250  | 203.0       | 203.0      | 35.0        |
| TPS79927DRVR  | WSON         | DRV             | 6    | 3000 | 203.0       | 203.0      | 35.0        |
| TPS79927DRVT  | WSON         | DRV             | 6    | 250  | 203.0       | 203.0      | 35.0        |
| TPS79927YZUT  | DSBGA        | YZU             | 5    | 250  | 210.0       | 185.0      | 35.0        |
| TPS799285DDCR | SOT-23-THIN  | DDC             | 5    | 3000 | 203.0       | 203.0      | 35.0        |
| TPS799285DDCT | SOT-23-THIN  | DDC             | 5    | 250  | 203.0       | 203.0      | 35.0        |
| TPS799285DRVR | WSON         | DRV             | 6    | 3000 | 203.0       | 203.0      | 35.0        |
| TPS799285DRVT | WSON         | DRV             | 6    | 250  | 203.0       | 203.0      | 35.0        |
| TPS799285YZUR | DSBGA        | YZU             | 5    | 3000 | 210.0       | 185.0      | 35.0        |
| TPS79928DDCR  | SOT-23-THIN  | DDC             | 5    | 3000 | 203.0       | 203.0      | 35.0        |
| TPS79928DDCT  | SOT-23-THIN  | DDC             | 5    | 250  | 203.0       | 203.0      | 35.0        |
| TPS79928DRVR  | WSON         | DRV             | 6    | 3000 | 203.0       | 203.0      | 35.0        |
| TPS79928DRVT  | WSON         | DRV             | 6    | 250  | 203.0       | 203.0      | 35.0        |
| TPS79928YZUR  | DSBGA        | YZU             | 5    | 3000 | 210.0       | 185.0      | 35.0        |
| TPS79928YZUT  | DSBGA        | YZU             | 5    | 250  | 210.0       | 185.0      | 35.0        |
| TPS79930DDCR  | SOT-23-THIN  | DDC             | 5    | 3000 | 202.0       | 201.0      | 28.0        |
| TPS79930DDCR  | SOT-23-THIN  | DDC             | 5    | 3000 | 203.0       | 203.0      | 35.0        |
| TPS79930DDCT  | SOT-23-THIN  | DDC             | 5    | 250  | 203.0       | 203.0      | 35.0        |
| TPS79930YZUR  | DSBGA        | YZU             | 5    | 3000 | 210.0       | 185.0      | 35.0        |
| TPS79930YZUT  | DSBGA        | YZU             | 5    | 250  | 210.0       | 185.0      | 35.0        |
| TPS799315DDCR | SOT-23-THIN  | DDC             | 5    | 3000 | 203.0       | 203.0      | 35.0        |
| TPS799315DDCT | SOT-23-THIN  | DDC             | 5    | 250  | 203.0       | 203.0      | 35.0        |
| TPS799315YZUR | DSBGA        | YZU             | 5    | 3000 | 210.0       | 185.0      | 35.0        |
| TPS799315YZUT | DSBGA        | YZU             | 5    | 250  | 210.0       | 185.0      | 35.0        |
| TPS79932YZUR  | DSBGA        | YZU             | 5    | 3000 | 210.0       | 185.0      | 35.0        |
| TPS79932YZUT  | DSBGA        | YZU             | 5    | 250  | 210.0       | 185.0      | 35.0        |
| TPS79933DDCR  | SOT-23-THIN  | DDC             | 5    | 3000 | 203.0       | 203.0      | 35.0        |
| TPS79933DDCR  | SOT-23-THIN  | DDC             | 5    | 3000 | 202.0       | 201.0      | 28.0        |
| TPS79933DDCT  | SOT-23-THIN  | DDC             | 5    | 250  | 203.0       | 203.0      | 35.0        |
| TPS79933DDCT  | SOT-23-THIN  | DDC             | 5    | 250  | 202.0       | 201.0      | 28.0        |
| TPS79933DRVR  | WSON         | DRV             | 6    | 3000 | 203.0       | 203.0      | 35.0        |
| TPS79933DRVT  | WSON         | DRV             | 6    | 250  | 203.0       | 203.0      | 35.0        |
| TPS79933YZUR  | DSBGA        | YZU             | 5    | 3000 | 210.0       | 185.0      | 35.0        |
| TPS79933YZUT  | DSBGA        | YZU             | 5    | 250  | 210.0       | 185.0      | 35.0        |
| TPS79942DDCR  | SOT-23-THIN  | DDC             | 5    | 3000 | 203.0       | 203.0      | 35.0        |
| TPS79942DDCT  | SOT-23-THIN  | DDC             | 5    | 250  | 203.0       | 203.0      | 35.0        |
| TPS79945YZUR  | DSBGA        | YZU             | 5    | 3000 | 210.0       | 185.0      | 35.0        |
| TPS79945YZUT  | DSBGA        | YZU             | 5    | 250  | 210.0       | 185.0      | 35.0        |



DDC (R-PDSO-G5)

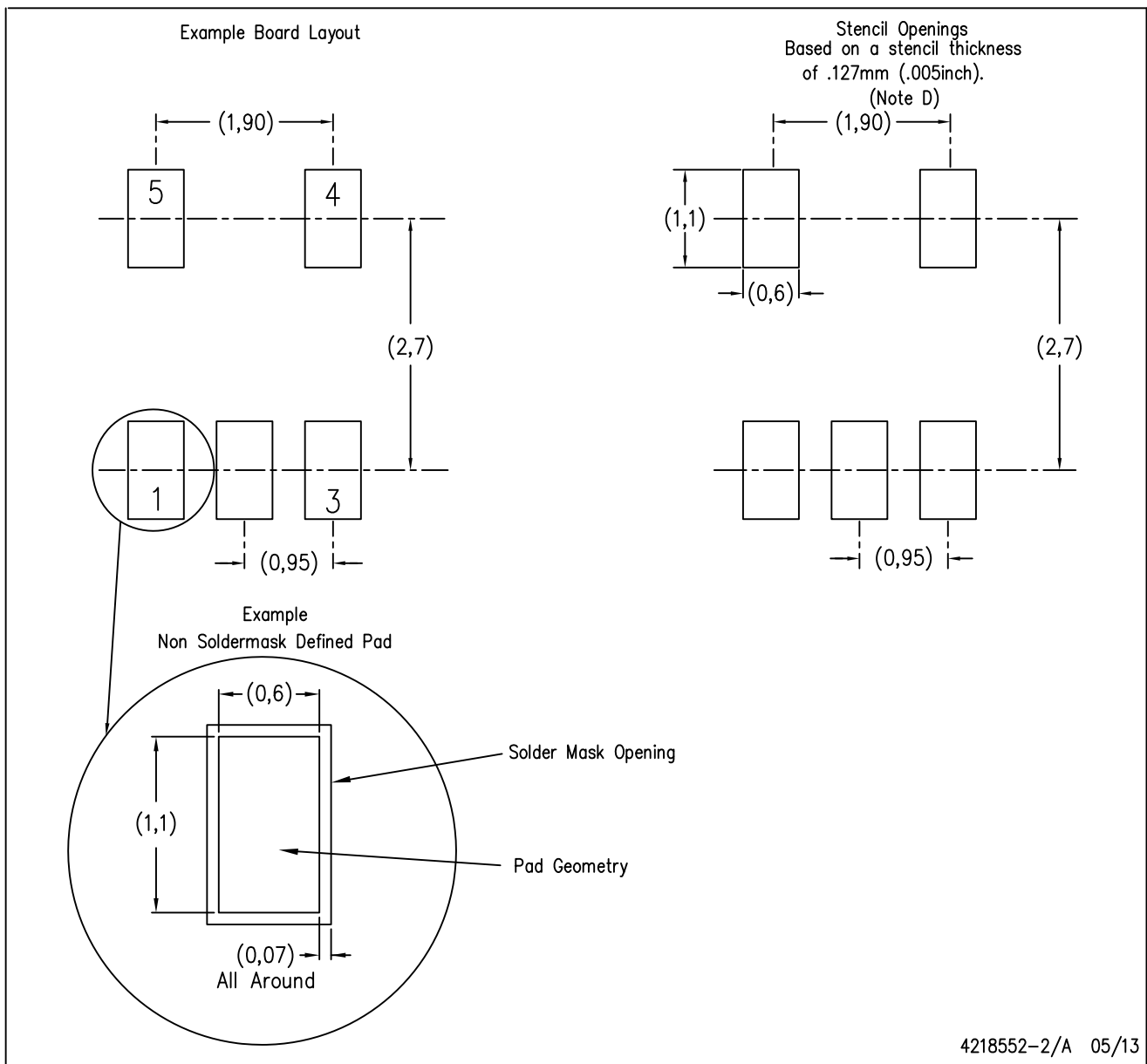
PLASTIC SMALL-OUTLINE



- NOTES:
- All linear dimensions are in millimeters.
  - This drawing is subject to change without notice.
  - Body dimensions do not include mold flash or protrusion.
  - Falls within JEDEC MO-193 variation AB (5 pin).

DDC (R-PDSO-G5)

PLASTIC SMALL OUTLINE

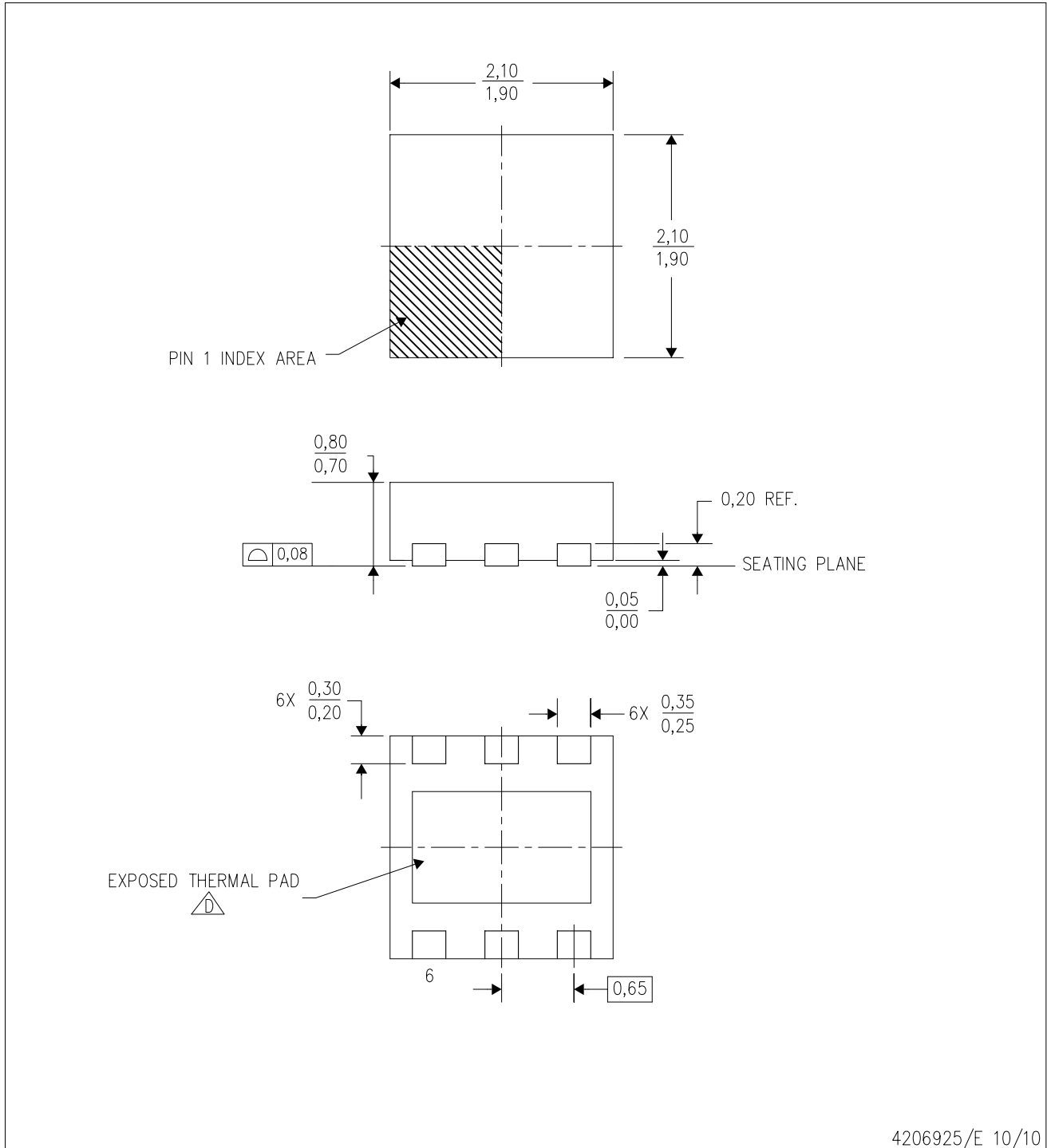


- NOTES:
- A. All linear dimensions are in millimeters.
  - B. This drawing is subject to change without notice.
  - C. Publication IPC-7351 is recommended for alternate designs.
  - D. Laser cutting apertures with trapezoidal walls and also rounding corners will offer better paste release. Customers should contact their board assembly site for stencil design recommendations. Example stencil design based on a 50% volumetric metal load solder paste. Refer to IPC-7525 for other stencil recommendations.

# MECHANICAL DATA

DRV (S-PWSON-N6)

PLASTIC SMALL OUTLINE NO-LEAD



4206925/E 10/10

- NOTES:
- All linear dimensions are in millimeters. Dimensioning and tolerancing per ASME Y14.5M-1994.
  - This drawing is subject to change without notice.
  - Small Outline No-Lead (SON) package configuration.
- $\triangle D$  The package thermal pad must be soldered to the board for thermal and mechanical performance. See the Product Data Sheet for details regarding the exposed thermal pad dimensions.

## THERMAL PAD MECHANICAL DATA

DRV (S-PWSON-N6)

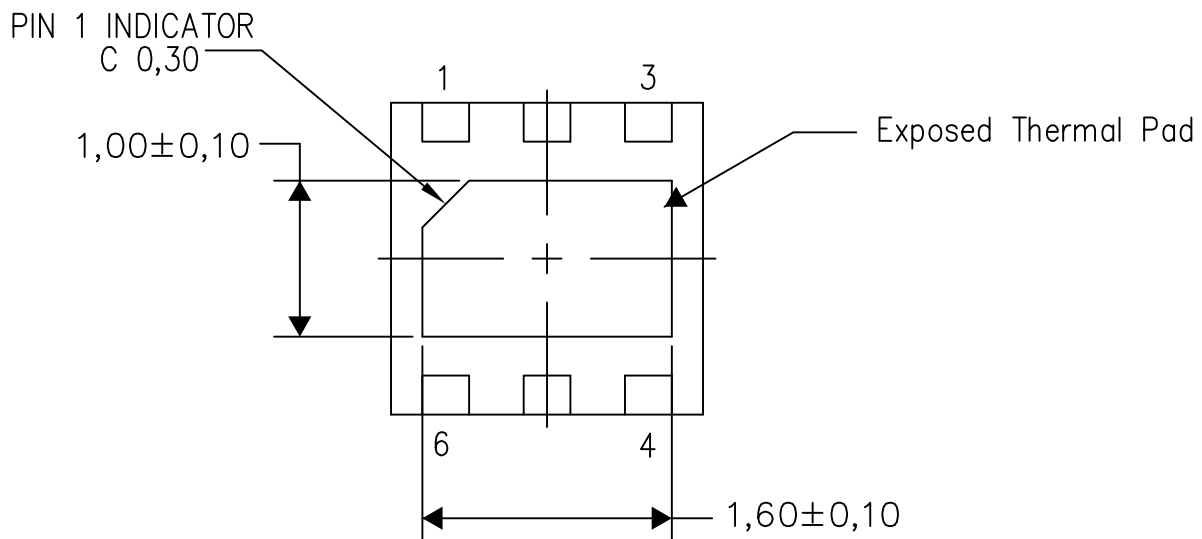
PLASTIC SMALL OUTLINE NO-LEAD

### THERMAL INFORMATION

This package incorporates an exposed thermal pad that is designed to be attached directly to an external heatsink. The thermal pad must be soldered directly to the printed circuit board (PCB). After soldering, the PCB can be used as a heatsink. In addition, through the use of thermal vias, the thermal pad can be attached directly to the appropriate copper plane shown in the electrical schematic for the device, or alternatively, can be attached to a special heatsink structure designed into the PCB. This design optimizes the heat transfer from the integrated circuit (IC).

For information on the Quad Flatpack No-Lead (QFN) package and its advantages, refer to Application Report, QFN/SON PCB Attachment, Texas Instruments Literature No. SLUA271. This document is available at [www.ti.com](http://www.ti.com).

The exposed thermal pad dimensions for this package are shown in the following illustration.



Bottom View

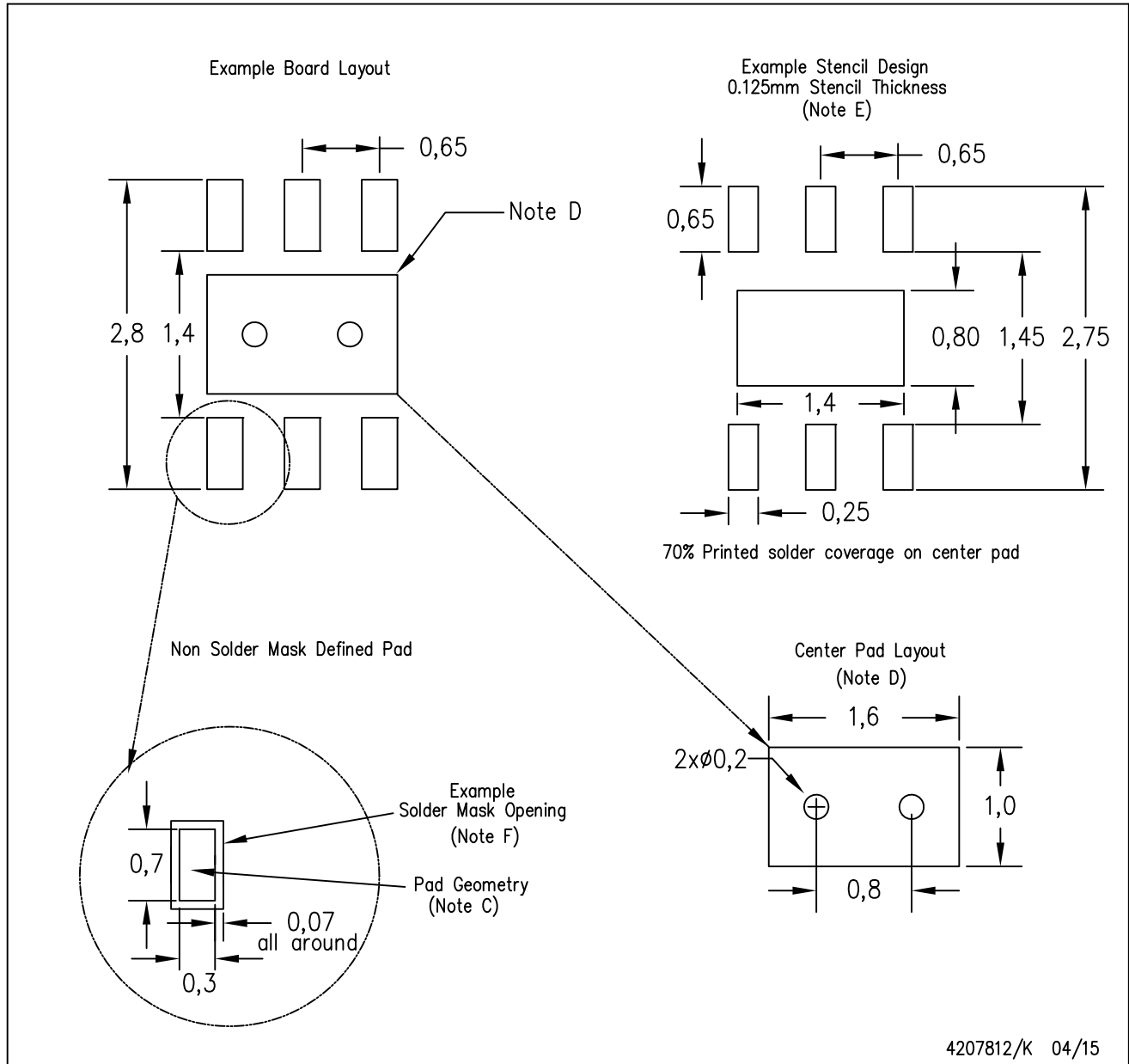
Exposed Thermal Pad Dimensions

4206926/Q 04/15

NOTE: All linear dimensions are in millimeters

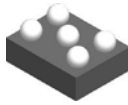
DRV (S-PWSON-N6)

PLASTIC SMALL OUTLINE NO-LEAD



- NOTES:
- All linear dimensions are in millimeters.
  - This drawing is subject to change without notice.
  - Publication IPC-7351 is recommended for alternate designs.
  - This package is designed to be soldered to a thermal pad on the board. Refer to Application Note, QFN/SON PCB Attachment, Texas Instruments Literature No. SLUA271, and also the Product Data Sheets for specific thermal information, via requirements, and recommended board layout. These documents are available at [www.ti.com](http://www.ti.com) <<http://www.ti.com>>.
  - Laser cutting apertures with trapezoidal walls and also rounding corners will offer better paste release. Customers should contact their board assembly site for stencil design recommendations. Refer to IPC 7525 for stencil design considerations.
  - Customers should contact their board fabrication site for solder mask tolerances.

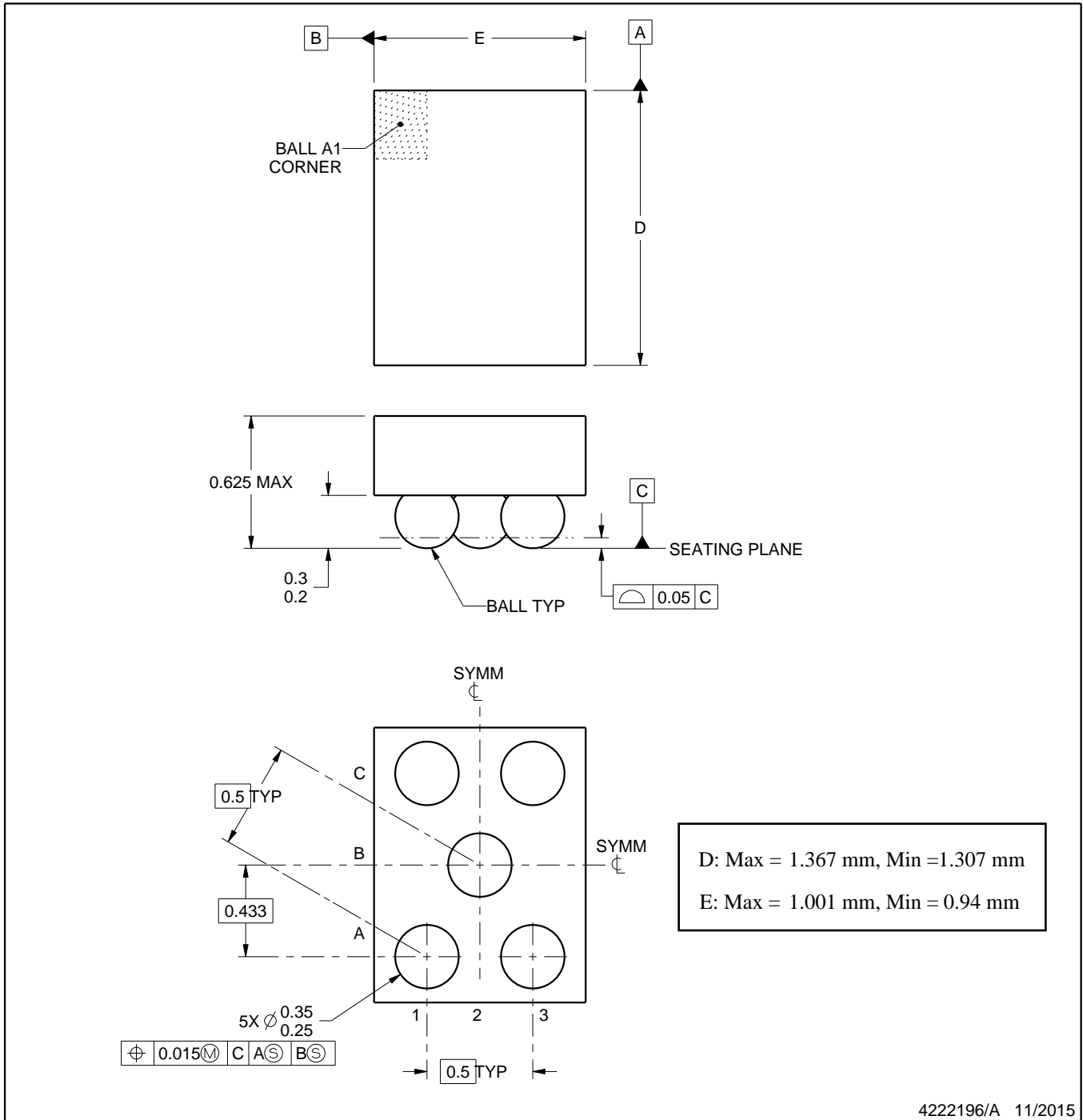
YZU0005



PACKAGE OUTLINE

DSBGA - 0.625 mm max height

DIE SIZE BALL GRID ARRAY



4222196/A 11/2015

NOTES:

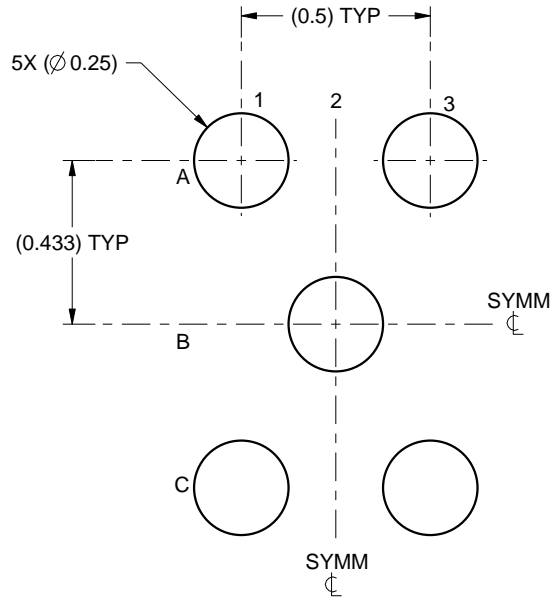
1. All linear dimensions are in millimeters. Any dimensions in parenthesis are for reference only. Dimensioning and tolerancing per ASME Y14.5M.
2. This drawing is subject to change without notice.

# EXAMPLE BOARD LAYOUT

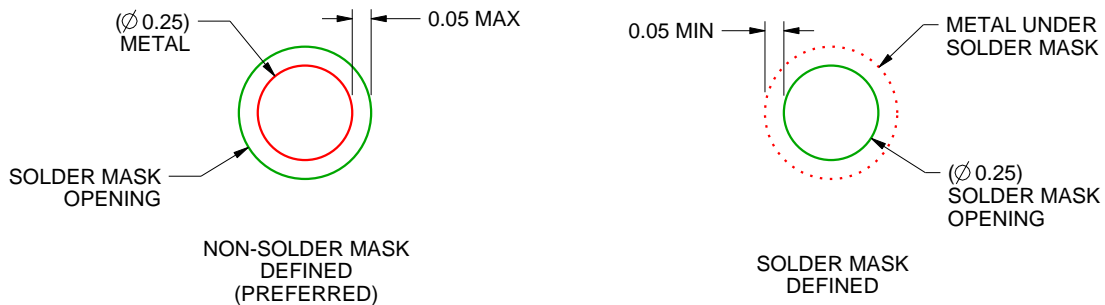
YZU0005

DSBGA - 0.625 mm max height

DIE SIZE BALL GRID ARRAY



LAND PATTERN EXAMPLE  
SCALE:50X



SOLDER MASK DETAILS  
NOT TO SCALE

4222196/A 11/2015

NOTES: (continued)

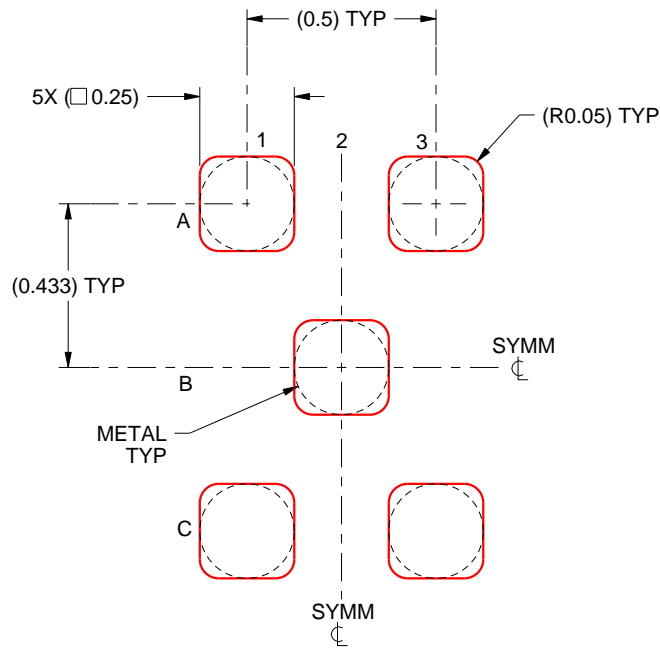
3. Final dimensions may vary due to manufacturing tolerance considerations and also routing constraints. Refer to Texas Instruments Literature No. SNVA009 ([www.ti.com/lit/snva009](http://www.ti.com/lit/snva009)).

# EXAMPLE STENCIL DESIGN

YZU0005

DSBGA - 0.625 mm max height

DIE SIZE BALL GRID ARRAY



SOLDER PASTE EXAMPLE  
BASED ON 0.1 mm THICK STENCIL  
SCALE:50X

4222196/A 11/2015

NOTES: (continued)

4. Laser cutting apertures with trapezoidal walls and rounded corners may offer better paste release.



## IMPORTANT NOTICE FOR TI DESIGN INFORMATION AND RESOURCES

Texas Instruments Incorporated ("TI") technical, application or other design advice, services or information, including, but not limited to, reference designs and materials relating to evaluation modules, (collectively, "TI Resources") are intended to assist designers who are developing applications that incorporate TI products; by downloading, accessing or using any particular TI Resource in any way, you (individually or, if you are acting on behalf of a company, your company) agree to use it solely for this purpose and subject to the terms of this Notice.

TI's provision of TI Resources does not expand or otherwise alter TI's applicable published warranties or warranty disclaimers for TI products, and no additional obligations or liabilities arise from TI providing such TI Resources. TI reserves the right to make corrections, enhancements, improvements and other changes to its TI Resources.

You understand and agree that you remain responsible for using your independent analysis, evaluation and judgment in designing your applications and that you have full and exclusive responsibility to assure the safety of your applications and compliance of your applications (and of all TI products used in or for your applications) with all applicable regulations, laws and other applicable requirements. You represent that, with respect to your applications, you have all the necessary expertise to create and implement safeguards that (1) anticipate dangerous consequences of failures, (2) monitor failures and their consequences, and (3) lessen the likelihood of failures that might cause harm and take appropriate actions. You agree that prior to using or distributing any applications that include TI products, you will thoroughly test such applications and the functionality of such TI products as used in such applications. TI has not conducted any testing other than that specifically described in the published documentation for a particular TI Resource.

You are authorized to use, copy and modify any individual TI Resource only in connection with the development of applications that include the TI product(s) identified in such TI Resource. NO OTHER LICENSE, EXPRESS OR IMPLIED, BY ESTOPPEL OR OTHERWISE TO ANY OTHER TI INTELLECTUAL PROPERTY RIGHT, AND NO LICENSE TO ANY TECHNOLOGY OR INTELLECTUAL PROPERTY RIGHT OF TI OR ANY THIRD PARTY IS GRANTED HEREIN, including but not limited to any patent right, copyright, mask work right, or other intellectual property right relating to any combination, machine, or process in which TI products or services are used. Information regarding or referencing third-party products or services does not constitute a license to use such products or services, or a warranty or endorsement thereof. Use of TI Resources may require a license from a third party under the patents or other intellectual property of the third party, or a license from TI under the patents or other intellectual property of TI.

TI RESOURCES ARE PROVIDED "AS IS" AND WITH ALL FAULTS. TI DISCLAIMS ALL OTHER WARRANTIES OR REPRESENTATIONS, EXPRESS OR IMPLIED, REGARDING TI RESOURCES OR USE THEREOF, INCLUDING BUT NOT LIMITED TO ACCURACY OR COMPLETENESS, TITLE, ANY EPIDEMIC FAILURE WARRANTY AND ANY IMPLIED WARRANTIES OF MERCHANTABILITY, FITNESS FOR A PARTICULAR PURPOSE, AND NON-INFRINGEMENT OF ANY THIRD PARTY INTELLECTUAL PROPERTY RIGHTS.

TI SHALL NOT BE LIABLE FOR AND SHALL NOT DEFEND OR INDEMNIFY YOU AGAINST ANY CLAIM, INCLUDING BUT NOT LIMITED TO ANY INFRINGEMENT CLAIM THAT RELATES TO OR IS BASED ON ANY COMBINATION OF PRODUCTS EVEN IF DESCRIBED IN TI RESOURCES OR OTHERWISE. IN NO EVENT SHALL TI BE LIABLE FOR ANY ACTUAL, DIRECT, SPECIAL, COLLATERAL, INDIRECT, PUNITIVE, INCIDENTAL, CONSEQUENTIAL OR EXEMPLARY DAMAGES IN CONNECTION WITH OR ARISING OUT OF TI RESOURCES OR USE THEREOF, AND REGARDLESS OF WHETHER TI HAS BEEN ADVISED OF THE POSSIBILITY OF SUCH DAMAGES.

You agree to fully indemnify TI and its representatives against any damages, costs, losses, and/or liabilities arising out of your non-compliance with the terms and provisions of this Notice.

This Notice applies to TI Resources. Additional terms apply to the use and purchase of certain types of materials, TI products and services. These include; without limitation, TI's standard terms for semiconductor products (<http://www.ti.com/sc/docs/stdterms.htm>), [evaluation modules](#), and [samples](http://www.ti.com/sc/docs/sampterm.htm) (<http://www.ti.com/sc/docs/sampterm.htm>).

Mailing Address: Texas Instruments, Post Office Box 655303, Dallas, Texas 75265  
Copyright © 2017, Texas Instruments Incorporated