

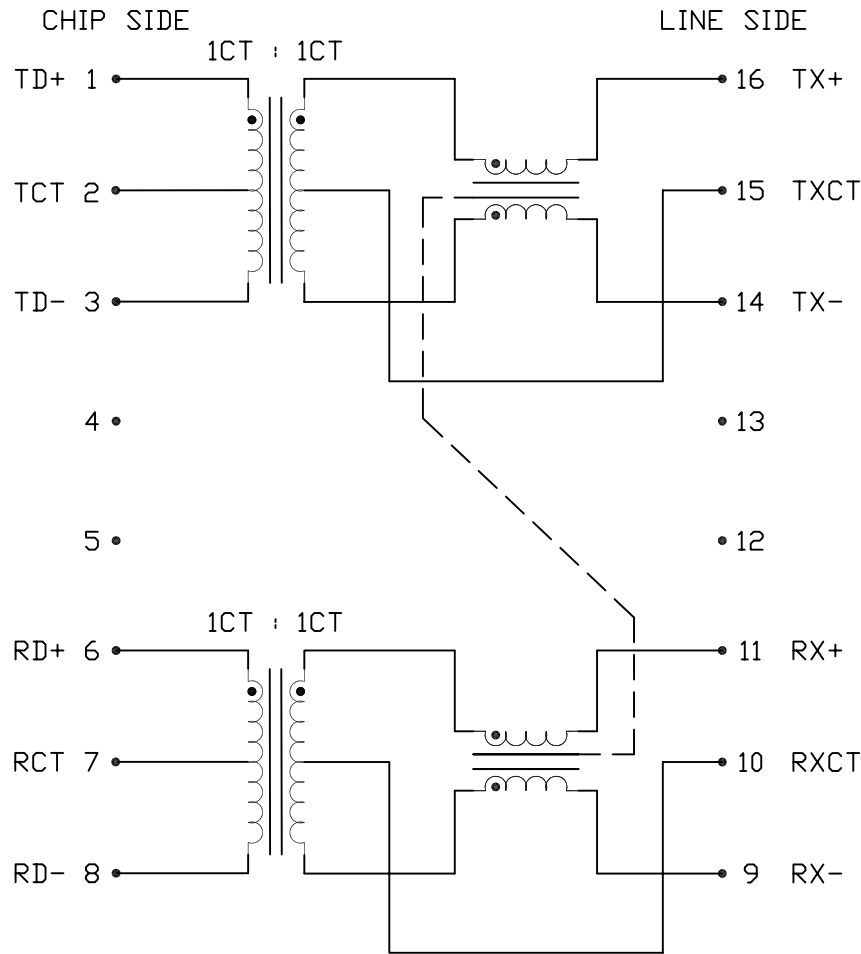
THE INFORMATION CONTAINED HEREIN IS CONSIDERED "PROPRIETARY" TO BEL FUSE INC. AND SHALL NOT BE COPIED, REPRODUCED OR DISCLOSED WITHOUT THE WRITTEN APPROVAL OF BEL FUSE INC.

Designed to accommodate 350mA of balanced DC as stipulated in IEEE 802.3af

ELECTRICAL CHARACTERISTICS @ 25°C



SCHEMATIC



TURNS RATIO

PIN 1-2-3 : 16-15-14

PIN 6-7-8 : 11-10-9

□CL (0°~70°C)

Tx PIN 1-3 □ OPEN 16-14

Rx PIN 6-8 □ OPEN 11-9

LEAKAGE INDUCTANCE, L<sub>L</sub>

Tx PIN 1-3 SHORT 16-14

Rx PIN 6-8 SHORT 11-9

INTERWINDING CAPACITANCE, C<sub>w/w</sub>

Tx PIN 1-3 TO 16-14

Rx PIN 6-8 TO 11-9

DCR

PIN (1-3) ; (6-8)

INSERTION LOSS

1 MHz TO 100 MHz

RETURN LOSS

1 MHz - 30 MHz

30 MHz - 60 MHz

60 MHz - 80 MHz

COMMON TO DIFFERENTIAL

100 kHz - 100 MHz

CROSSTALK

100 kHz - 100 MHz

HIPOT

1CT : 1CT

1CT : 1CT

350 μH MIN.

@ 100kHz, 100mVrms

WITH 8mA DC BIAS

0.30 μH MAX.

@ 1MHz, 20mV

30 pF MAX.

@ 1MHz, 20mV

1.1 Ωhm MAX.

1.2 dB MAX.

18 dB MIN.

18-20 LOG (f/30MHz)

12 dB MIN.

35 dB MIN.

35 dB MIN.

PER HAND-WORK-03

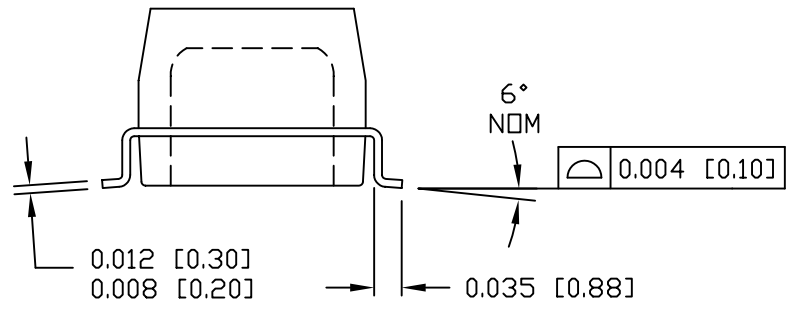
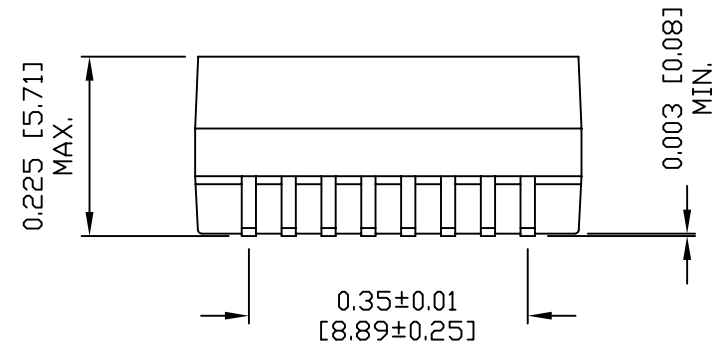
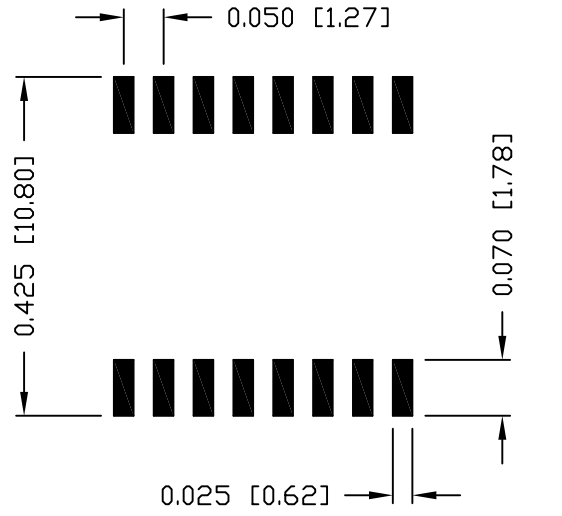
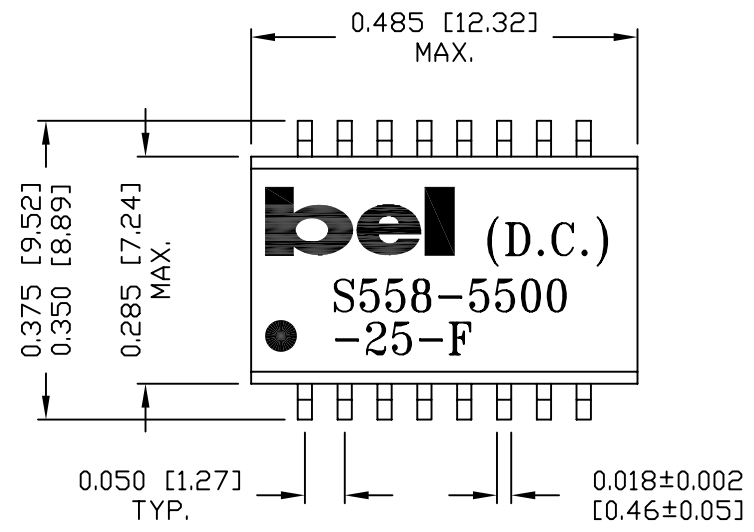
ORIGINATED BY	DATE	TITLE	PART NO. / DRAWING NO.	STANDARD DIM. TOL. IN INCH	[ ] METRIC DIM. AS REFERENCE
H□	07-19-05	VOIP INTERFACE MODULE S558-5500-25-F	X558550025-F	.X	UNIT : INCH [mm] REV. : A
DRAWN BY	DATE		FILE NAME	.XX	SCALE : N/A SIZE : A4
DQ Chen	07-19-05		X558550025FA.DWG	.XXX	PAGE : 2



THE INFORMATION CONTAINED HEREIN IS CONSIDERED "PROPRIETARY" TO BEL FUSE INC. AND SHALL NOT BE COPIED, REPRODUCED OR DISCLOSED WITHOUT THE WRITTEN APPROVAL OF BEL FUSE INC.



SUGGESTED PCB PAD LAYOUT



NOTES:

- STANDARD MARKING REFER TO DOC. HAND-WORK-04.
- PACKAGE CODE: "QBS001".

ORIGINATED BY HQ	DATE 07-19-05	TITLE MECHANICAL DRAWING S558-5500-25-F	PART NO. / DRAWING NO. X558550025-F		STANDARD DIM. TOL. IN INCH	[ ] METRIC DIM. AS REFERENCE		 COMPONENTS ON A CONNECTED PLANET
			FILE NAME X558550025FA.DWG		.X	UNIT : INCH [mm]	REV. : A	
DRAWN BY DQ Chen	DATE 07-19-05			.XX ±0.01	SCALE : N/A	SIZE : A4		
				.XXX ±0.005		PAGE : 3		